

Flashing Detail Selection

Polyken® and Nashua® Flashing Tapes

The choice of flashing methods depends on the type of window, door, or skylight frame selected. Further, the type of weather-resistant barrier to be used limits the flashing methods available. The following table is intended to assist with the selection of appropriate flashing details. The specific flashing details are outlined on the following pages.

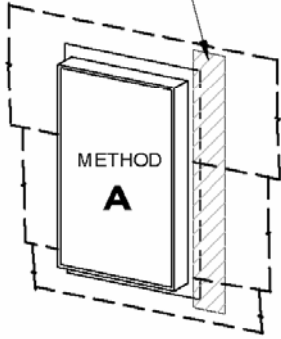
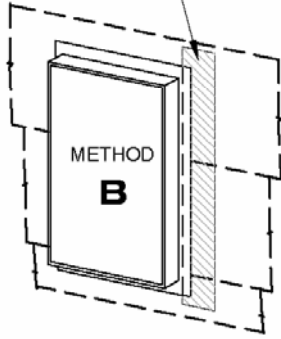
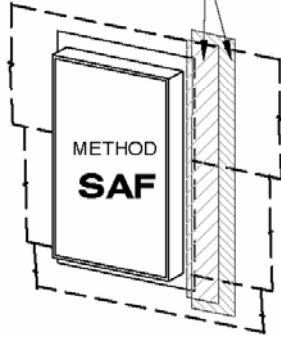
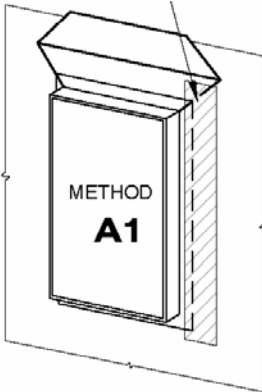
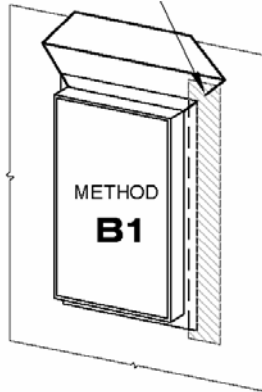
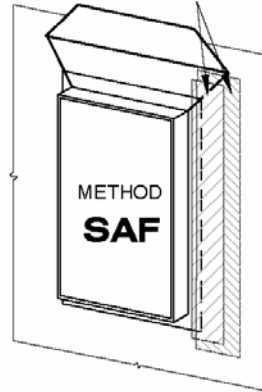
The window and door flashing details show the use of Polyken® and Nashua® Flashing Tapes with Nail-Fin type frames for windows and block frames for doors. The flashing details are appropriate with the use of most exterior wall claddings, e.g., 3-coat stucco, wood & vinyl sidings and plywood panel systems using a concealed weather-resistant barrier under the cladding. The Skylight flashing details show a composition shingle roof covering on solid, sloped roof sheeting.

The project designer is responsible to adapt flashing details for specific types of wall claddings and roof coverings, e.g., clay tile, concrete tile, wood shingles and shakes, and panel systems.

POLYKEN® AND NASHUA® FLASHING DETAIL SELECTION								
Application Variables	Flashing Method With Polyken® and Nashua®							
	Windows			Doors			Skylights	
Underlayment (Weather-Resistant Barrier):								
• Building Paper	A	(similar to A)	SAF	A	(similar to A)	SAF	–	–
• Housewrap	–	A1	SAF	–	A1	SAF	–	–
• Roof Felt Underlayment	–	–	–	–	–	–	SP-1/3	SP-2/4
Mounting Window/Door:								
• Integral Nail Fin	A	A1	SAF	(similar to windows)			–	–
• Applied Nail Fin	(similar to doors)			A	A1	SAF	–	–
• Block Frame w/Field-Applied Brick Mold	See Application Guide			See Application Guide			–	–
• Block Frame w/Factory-Applied Brick Mold	See Application Guide			See Application Guide			–	–
• Block Frame w/o Brick Mold	See Application Guide			See Application Guide			–	–
Skylight:								
• Integral Deck Flange	–	–	–	–	–	–	SP-1/3	–
Skylight:								
• Deck Curb w/o Flange	–	–	–	–	–	–	–	SP-2/4
Supplemental Flashings:								
• Head Flashing	(similar to doors)			A	A1	SAF	–	–
• Sill Pan (Block Frame)	(similar to doors)			A	A1	SAF	–	–
	Contour			Similar to windows				

Note: For ASTM Flashing Methods B & B1 using Polyken® Flashing Tapes, refer to ASTM E2112-07 Standard Practice for Installation of Exterior Windows, Doors and Skylights.

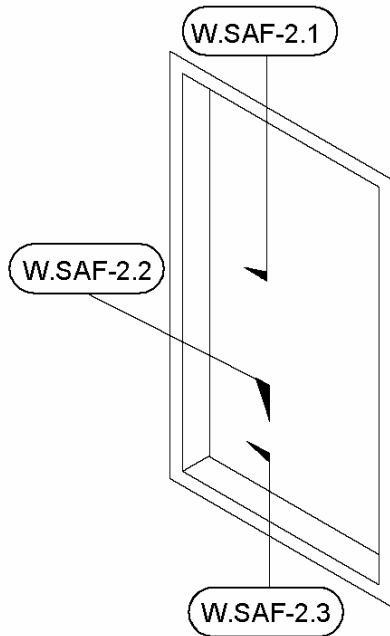
For Flashing doors and windows with Block Frame mountings refer to AAMA Installation Masters Training Manual, # IM - TM, June 2000.

WINDOWS/DOOR FLASHING METHODS		
ASTM E 2112 DESIGNATION		POLYKEN® & NASHUA® DESIGNATION
<p>Method A POLYKEN® JAMB FLASHING OVER FRAME FLANGE</p>  <p>METHOD A</p> <p>BUILDING PAPER LAPS OVER JAMB FLASHING</p>	<p>Method B POLYKEN® JAMB FLASHING UNDER FRAME FLANGE</p>  <p>METHOD B</p> <p>BUILDING PAPER LAPS OVER JAMB FLASHING</p>	<p>Method SAF POLYKEN® JAMB FLASHING OVER & UNDER FRAME FLANGE</p>  <p>METHOD SAF</p> <p>BUILDING PAPER LAPS OVER JAMB FLASHING</p>
<p>Method A1 POLYKEN® JAMB FLASHING OVER FRAME FLANGE</p>  <p>METHOD A1</p> <p>HOUSEWRAP APPLIED 1ST UNDER JAMB FLASHING</p>	<p>Method B1 POLYKEN® JAMB FLASHING UNDER FRAME FLANGE</p>  <p>METHOD B1</p> <p>HOUSEWRAP APPLIED 1ST UNDER JAMB FLASHING</p>	<p>Method SAF POLYKEN® JAMB FLASHING OVER & UNDER FRAME FLANGE</p>  <p>METHOD SAF</p> <p>HOUSEWRAP APPLIED 1ST UNDER JAMB FLASHINGS</p>

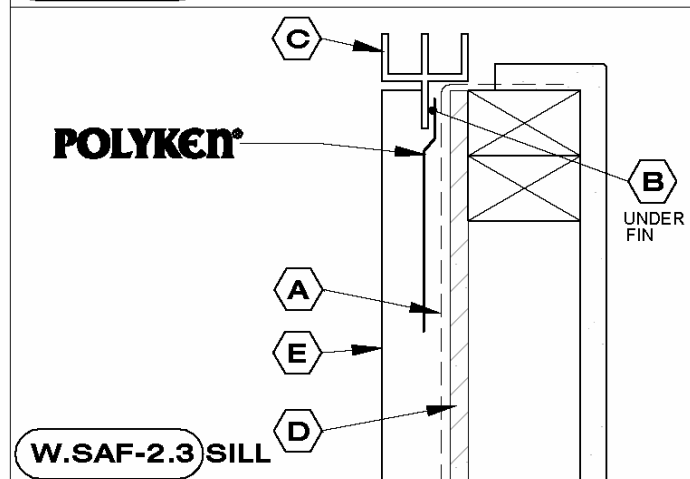
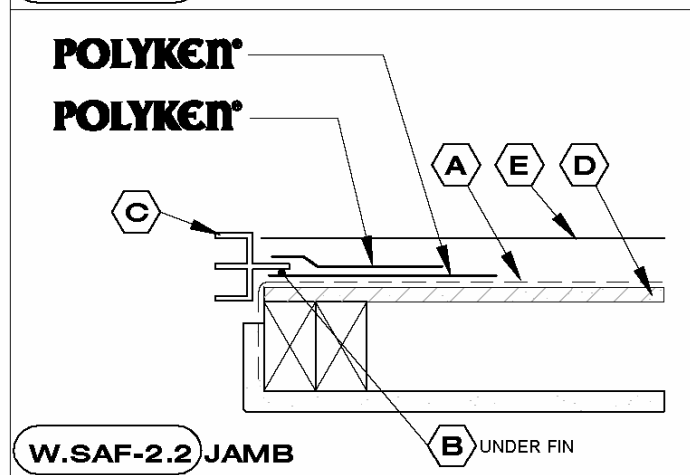
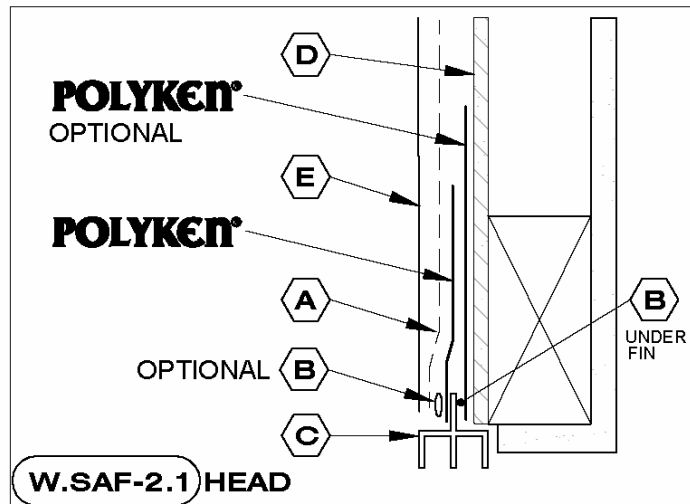
Notes: Separate head and sill Polyken® and Nashua® flashings not shown for clarity.
 The SAF method can be used with both types of WRB – House wrap and building paper.
 The outline of the building paper lapping over the jamb and head flashing is shown dashed.

Flashing Method	Details		
	Head	Jamb	Sill
Window Nail-Fin			
Method A (building paper)	W.A.1	W.A.2	W.A.3
Method A1 (house wrap)	W.A.1.1	W.A.1.2	W.A.1.3
Method SAF	W.SAF.1	W.SAF.2	W.SAF.3
Door (swing type) Block Frame			
Method A (building paper)	D.A.1	D.A.2	D.A.3
Method A1 (house wrap)	D.A.1.1	D.A.1.2	D.A.1.3
Method SAF	D.SAF.1	D.SAF.2	D.SAF.3
Skylight			
Type 1 or Type 3	SP.1.1	SP.1.2	SP.1.3
Type 2 or Type 4	SP.2.1	SP.2.2	SP.2.3

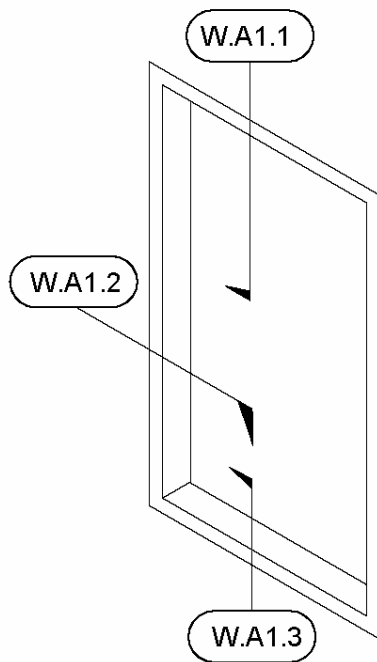
WINDOW FLASHING - METHOD SAF (HOUSEWRAP)



- MATERIALS KEY:**
- A** HOUSEWRAP - WEATHER-RESISTANT BARRIER (WRB)
 - B** SEALANT BEAD
 - C** WINDOW FRAME
 - D** WALL SHEATHING
 - E** EXTERIOR WALL CLADDING

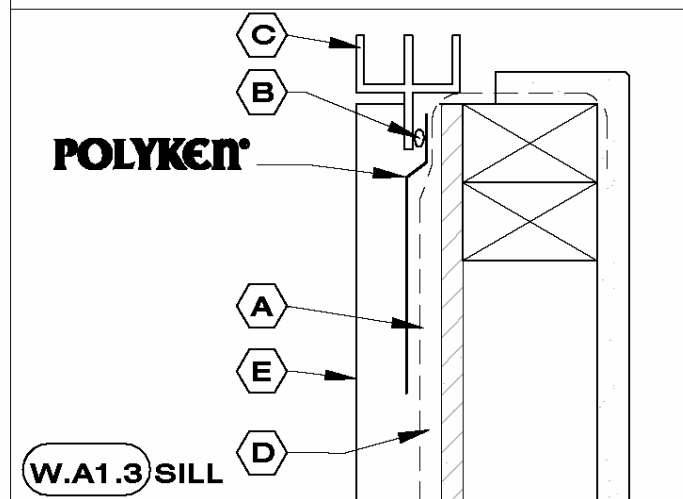
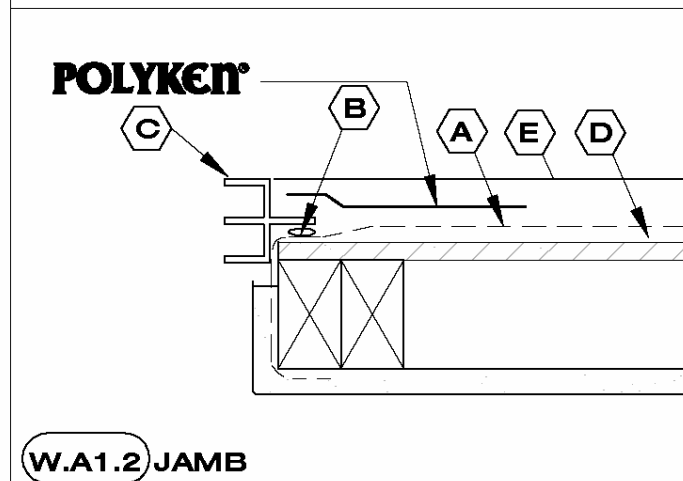
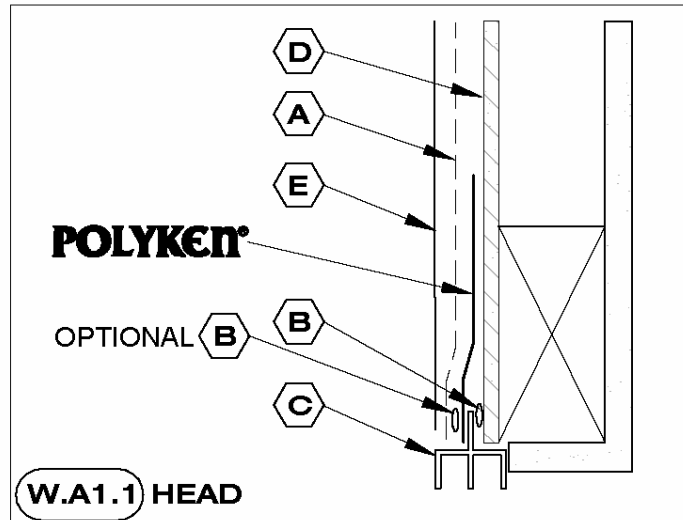


WINDOW FLASHING - METHOD A1 (HOUSEWRAP)

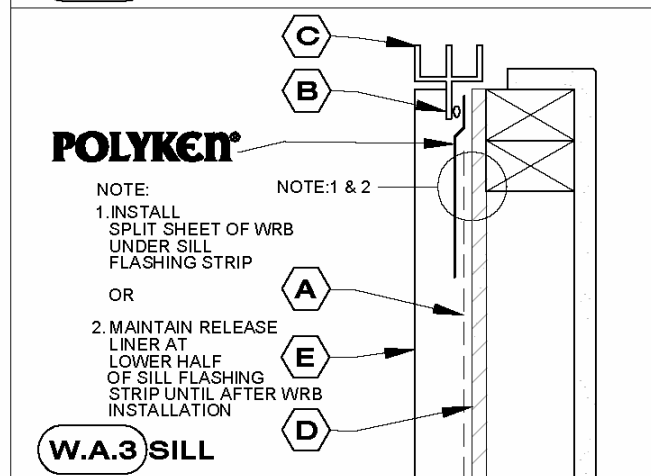
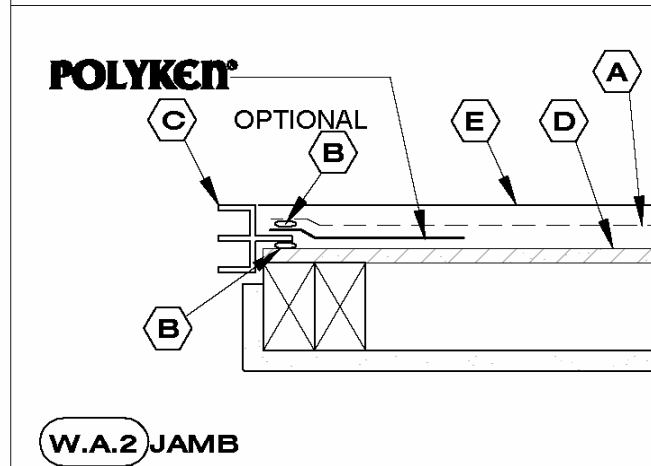
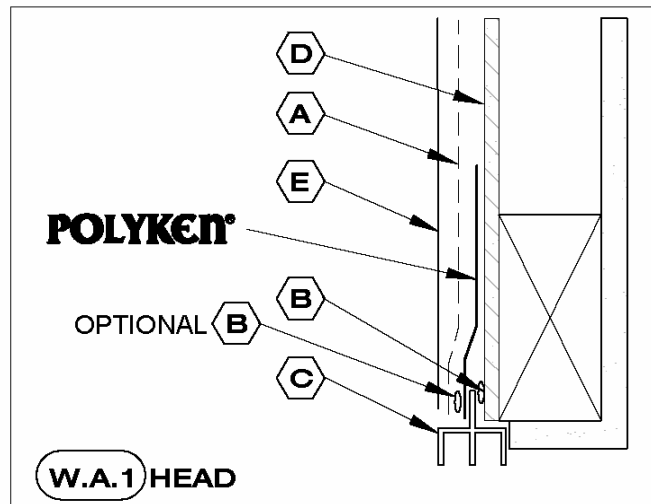
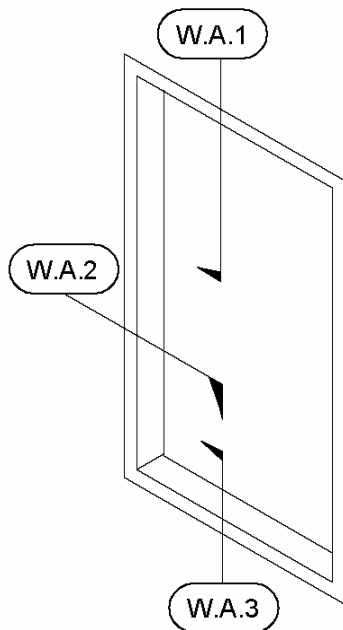


MATERIALS KEY:

- A** HOUSEWRAP - WEATHER-RESISTANT BARRIER (WRB)
- B** SEALANT BEAD
- C** WINDOW FRAME
- D** WALL SHEATHING
- E** EXTERIOR WALL CLADDING

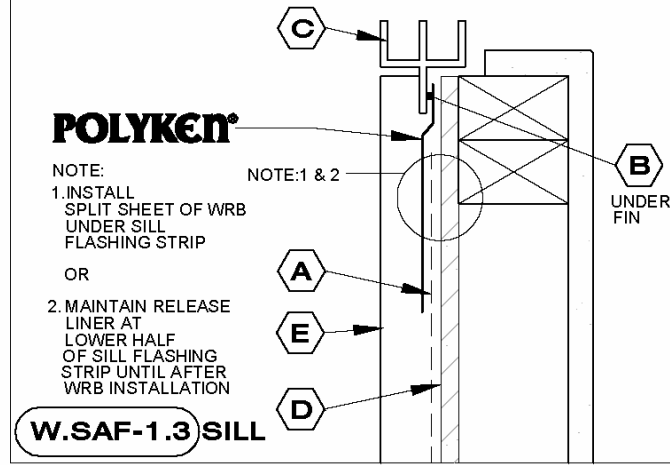
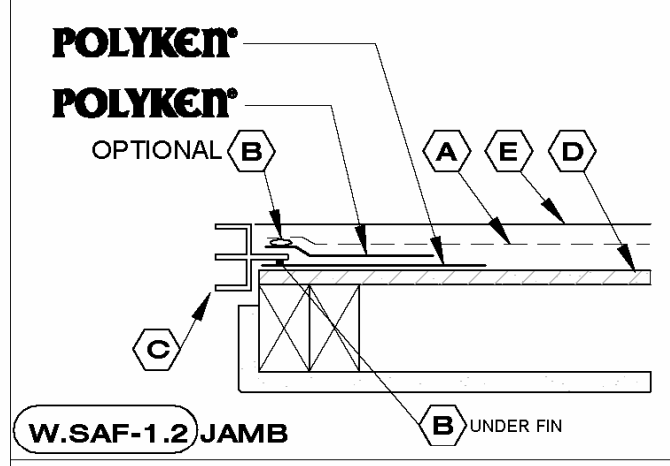
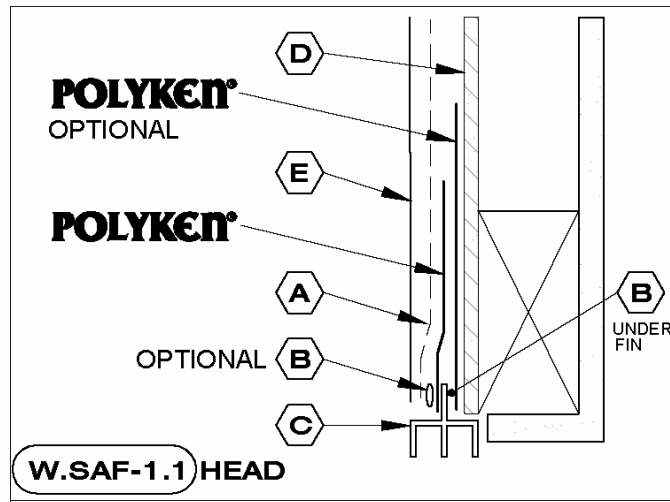
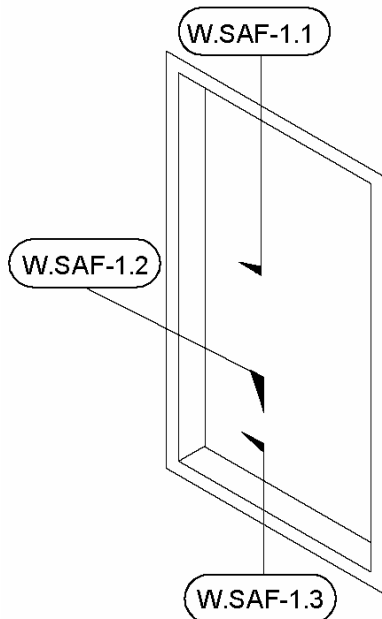


WINDOW FLASHING - METHOD A (BUILDING PAPER)



- MATERIALS KEY:**
- A** BUILDING PAPER
 - B** WEATHER-RESISTANT BARRIER (WRB)
 - C** SEALANT BEAD
 - D** WINDOW FRAME
 - E** WALL SHEATHING
 - E** EXTERIOR WALL CLADDING

WINDOW FLASHING - METHOD SAF (BUILDING PAPER)



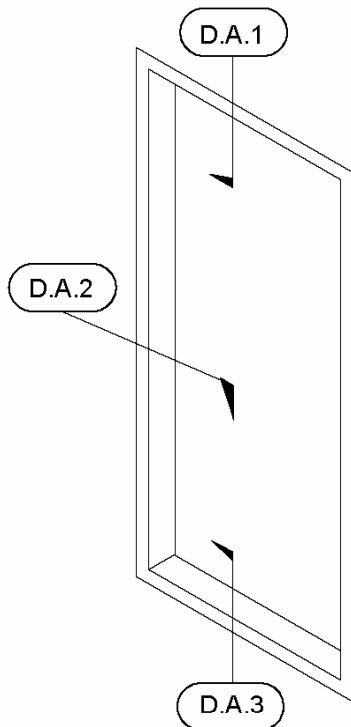
- MATERIALS KEY:**
- A** BUILDING PAPER - WEATHER-RESISTANT BARRIER (WRB)
 - B** SEALANT BEAD
 - C** WINDOW FRAME
 - D** WALL SHEATHING
 - E** EXTERIOR WALL CLADDING

DOOR FLASHING - METHOD A (BUILDING PAPER)

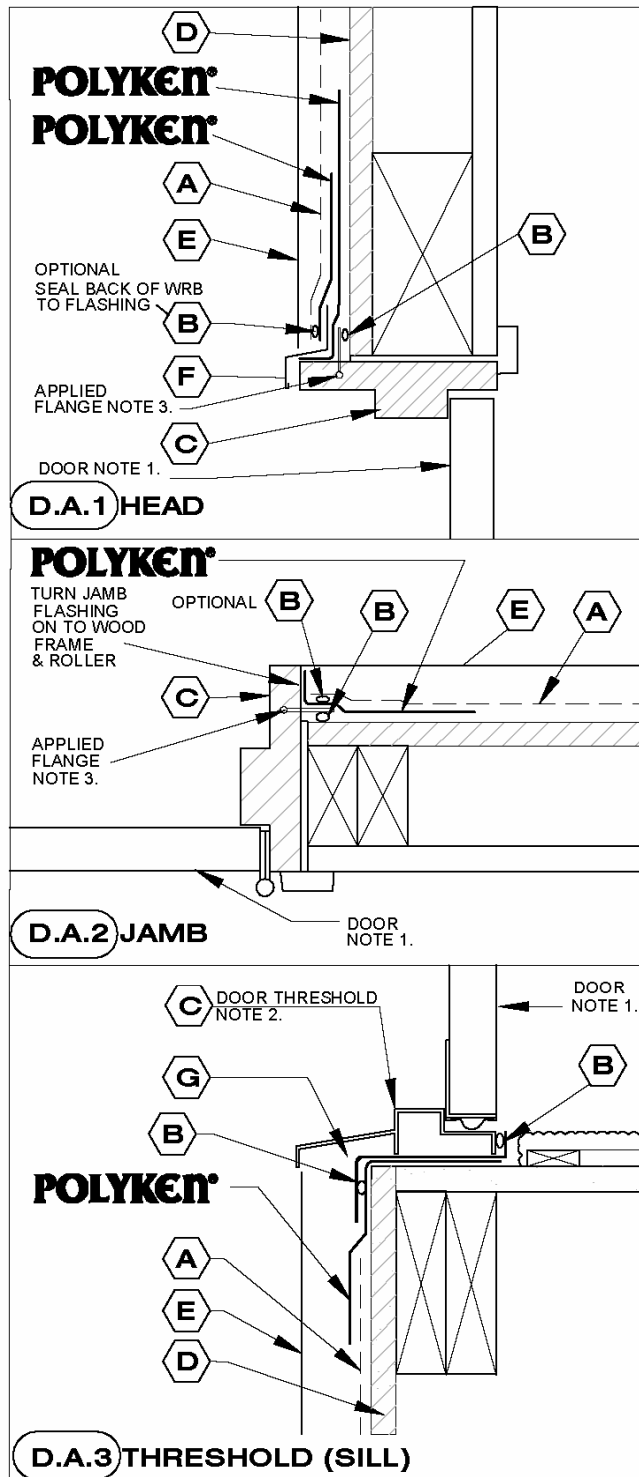
NOTE:1
DOOR CAN BE INS WING,
OUT SWING OR SLIDER.

NOTE:2
THRESHOLD PROFILE,
WIDTH & HEIGHT VARIES
WITH MANUFACTURER.

NOTE:3 APPLIED
ATTACHMENT FLANGE
NOT CONSIDERED
TO BE WEATHER TIGHT



- MATERIALS KEY:**
- A** BUILDING PAPER - WEATHER-RESISTANT BARRIER (WRB)
 - B** SEALANT BEAD
 - C** DOOR FRAME
 - D** WALL SHEATHING
 - E** EXTERIOR WALL CLADDING
 - F** SUPPLEMENTAL HEAD FLASHING
 - G** THRESHOLD (SILL PAN) FLASHING

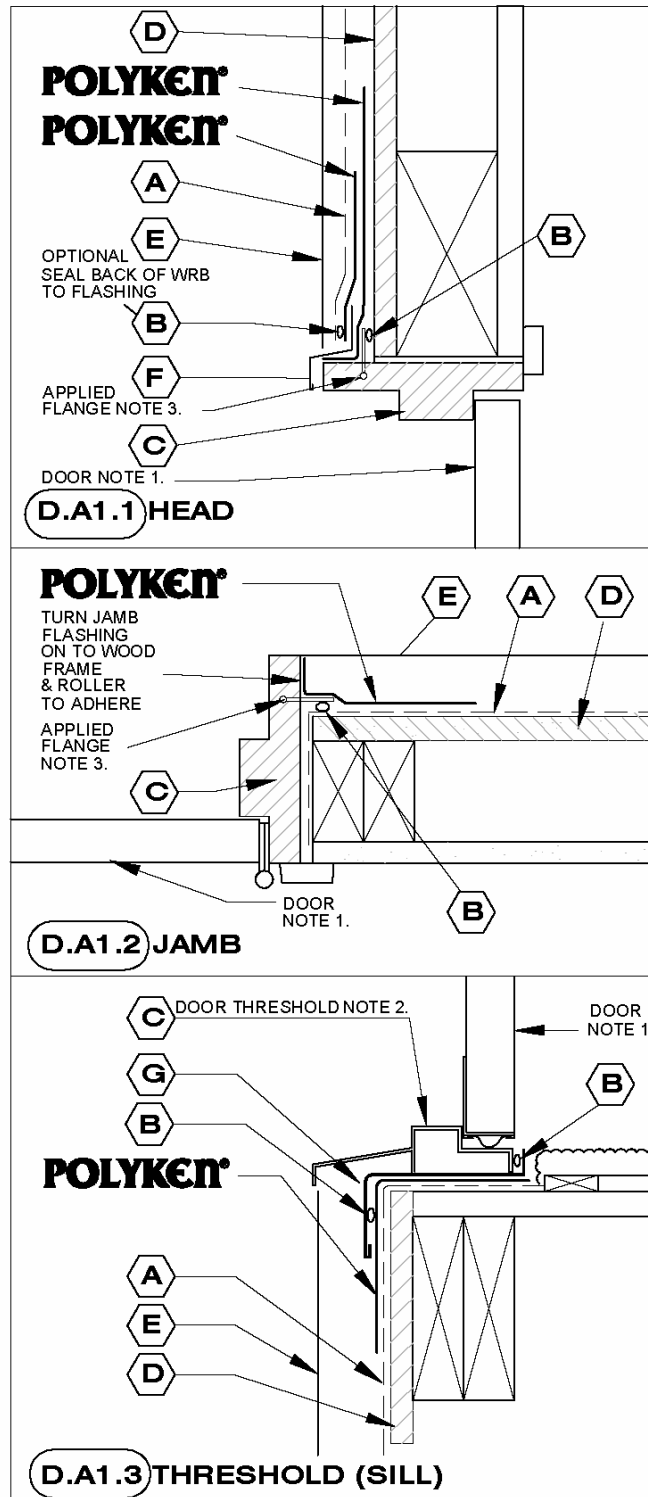
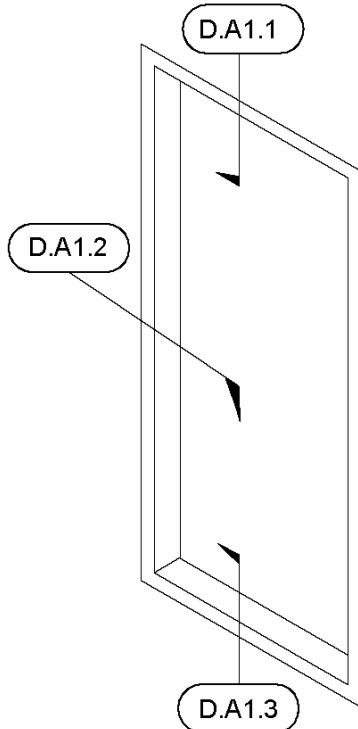


DOOR FLASHING - METHOD A1 (HOUSEWRAP)

NOTE:1
DOOR CAN BE INSWING,
OUT SWING OR SLIDER.

NOTE:2
THRESHOLD PROFILE,
WIDTH & HEIGHT VARIES
WITH MANUFACTURER.

NOTE:3 APPLIED
ATTACHMENT FLANGE
NOT CONSIDERED
TO BE WEATHER TIGHT



MATERIALS KEY:

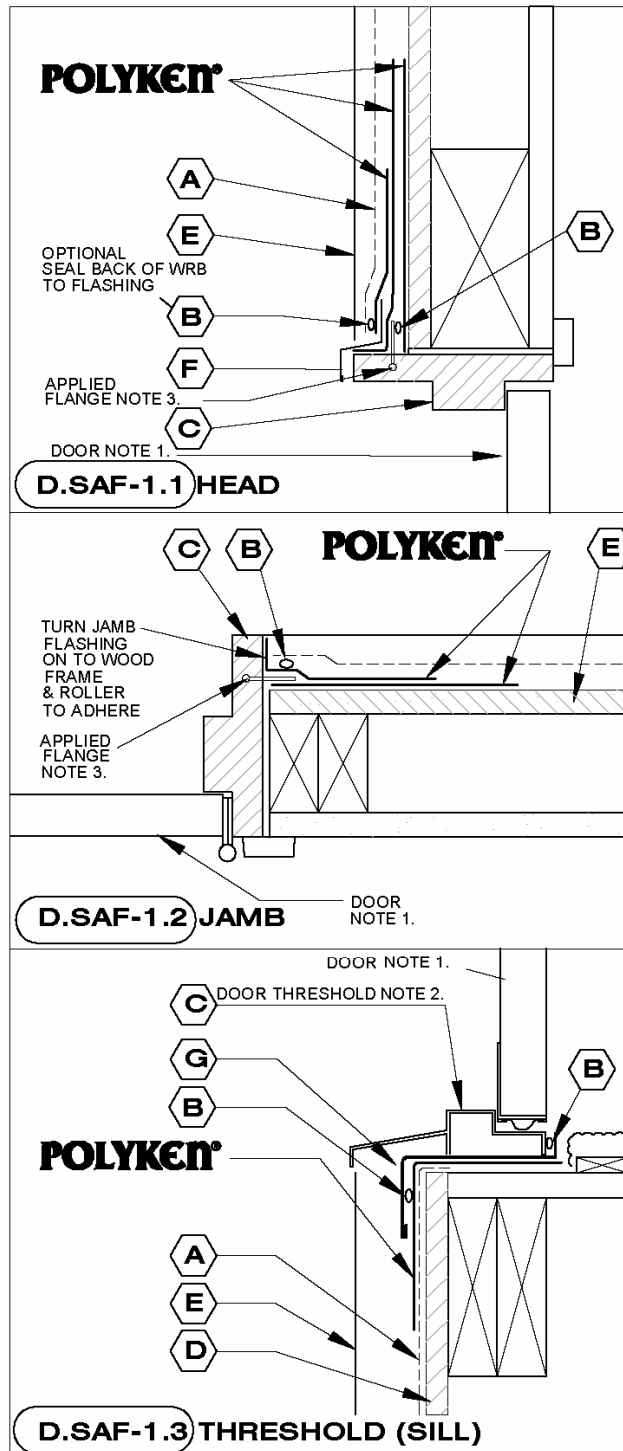
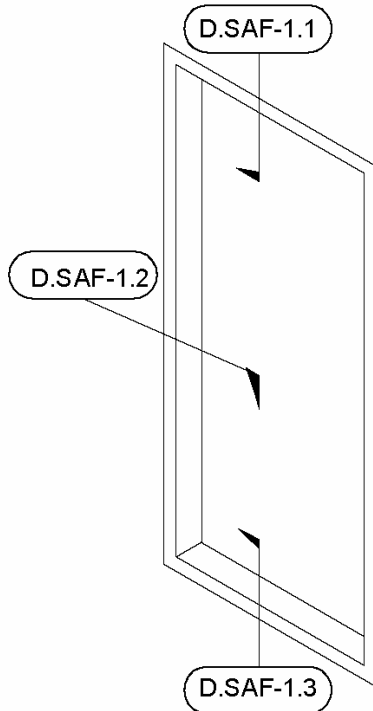
- A** HOUSE WRAP WEATHER-RESISTANT BARRIER (WRB)
- B** SEALANT BEAD
- C** DOOR FRAME
- D** WALL SHEATHING
- E** EXTERIOR WALL CLADDING
- F** SUPPLEMENTAL HEAD FLASHING
- G** THRESHOLD (SILL PAN) FLASHING

DOOR FLASHING - METHOD SAF (BUILDING PAPER)

NOTE:1
DOOR CAN BE INSWING,
OUT SWING OR SLIDER.

NOTE:2
THRESHOLD PROFILE
WIDTH & HEIGHT VARIES
WITH MANUFACTURER.

NOTE:3 APPLIED
ATTACHMENT FLANGE
NOT CONSIDERED
TO BE WEATHER TIGHT



MATERIALS KEY:

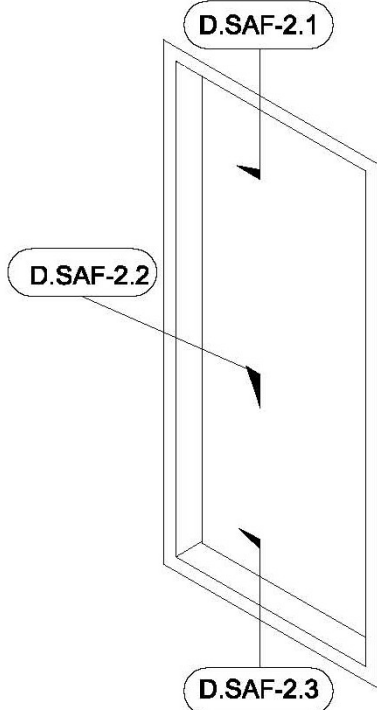
- A** BUILDING PAPER - WEATHER-RESISTANT BARRIER (WRB)
- B** SEALANT BEAD
- C** DOOR FRAME
- D** WALL SHEATHING
- E** EXTERIOR WALL CLADDING
- F** SUPPLEMENTAL HEAD FLASHING
- G** THRESHOLD (SILL PAN) FLASHING

DOOR FLASHING - METHOD SAF (HOUSEWRAP)

NOTE:1
DOOR CAN BE IN SWING,
OUT SWING OR SLIDER.

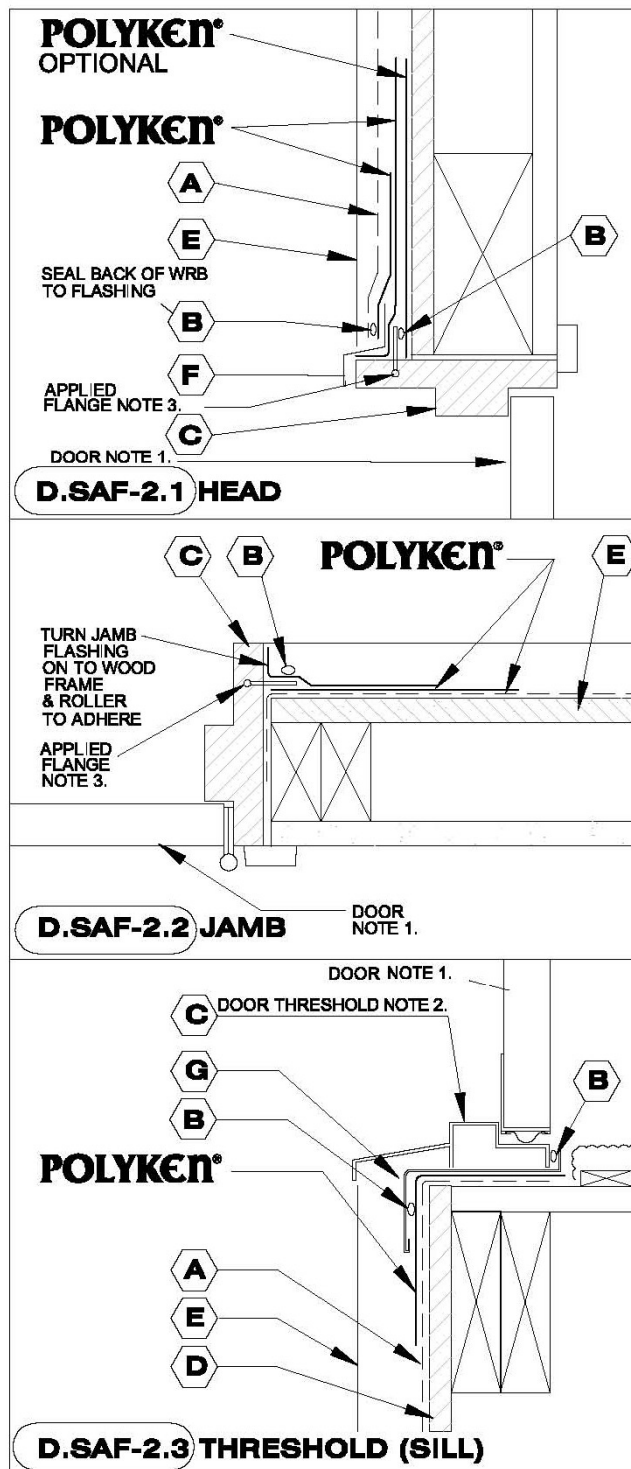
NOTE:2
THRESHOLD PROFILE,
WIDTH & HEIGHT VARIES
WITH MANUFACTURER.

NOTE:3 APPLIED
ATTACHMENT FLANGE
NOT CONSIDERED
TO BE WEATHER TIGHT

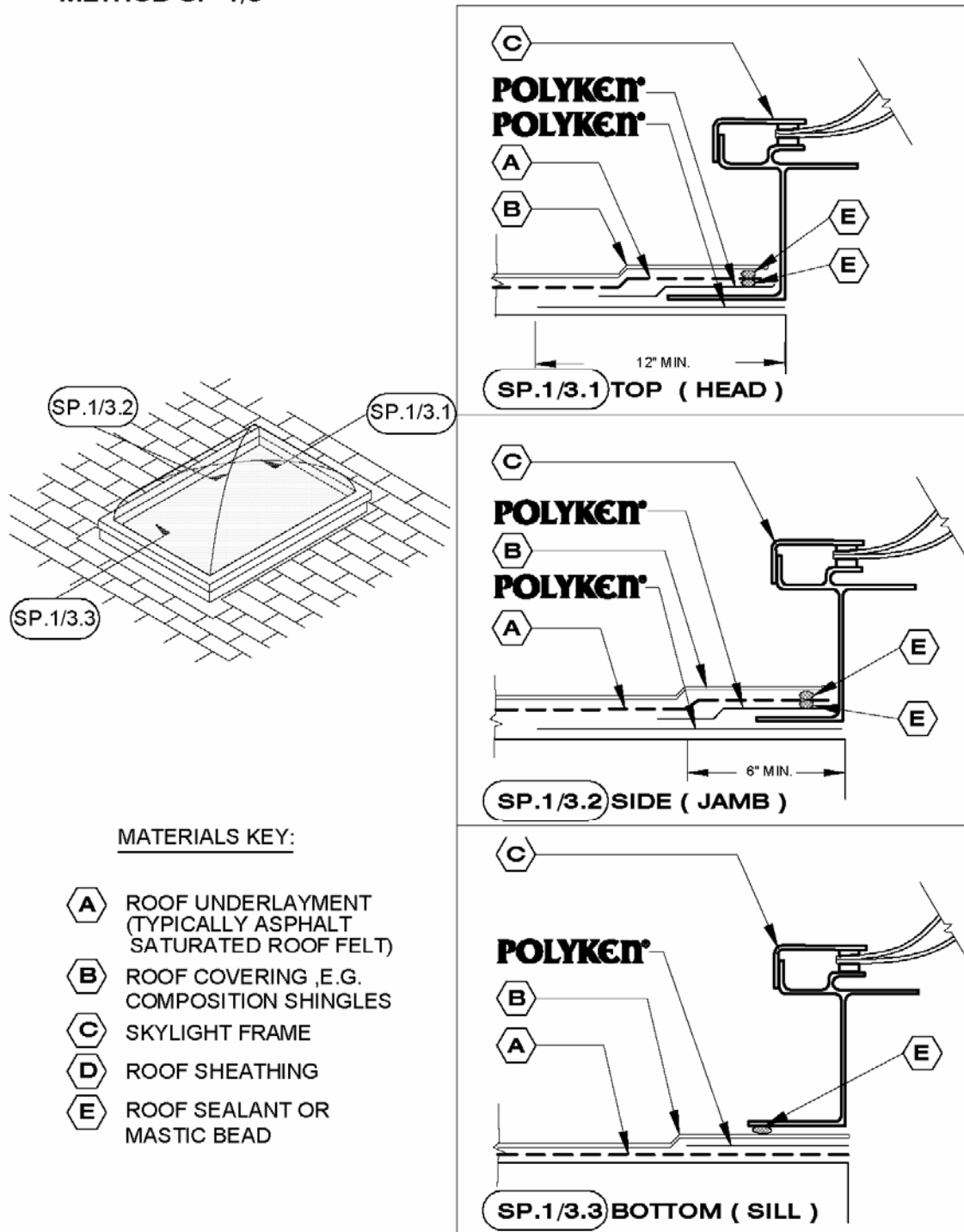


MATERIALS KEY:

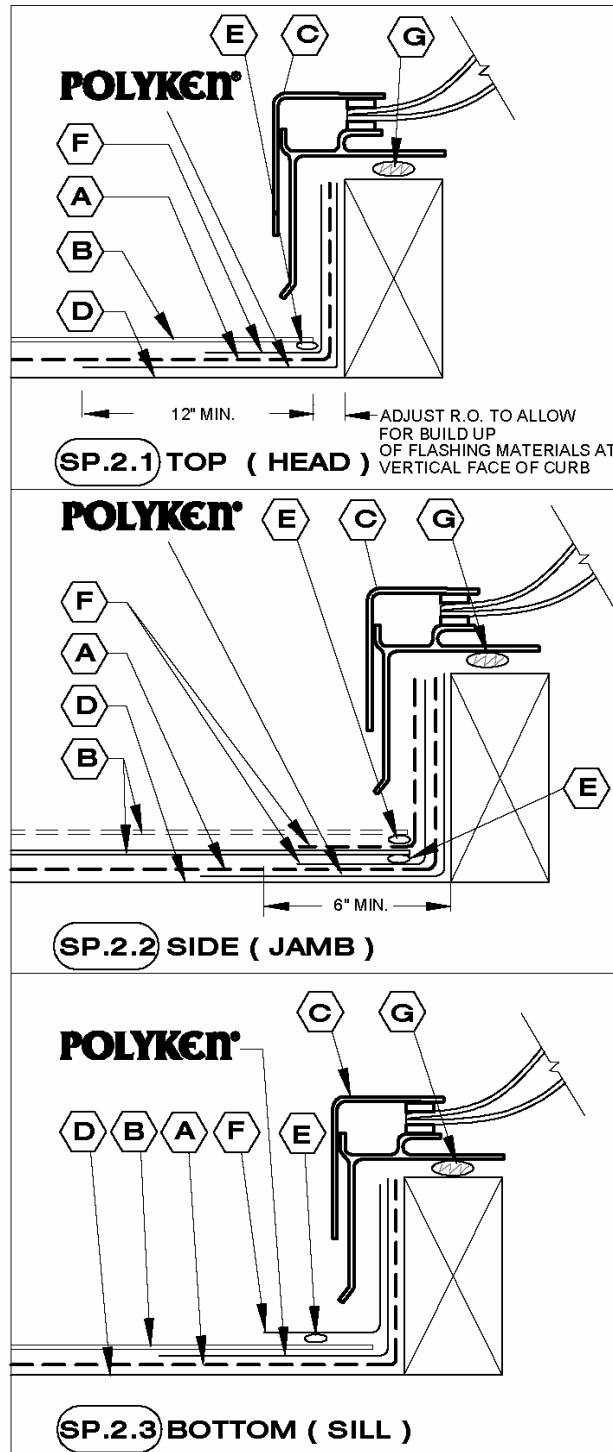
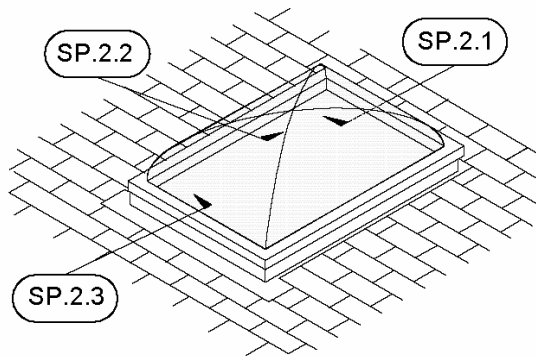
- A** HOUSEWRAP - WEATHER-RESISTANT BARRIER (WRB)
- B** SEALANT BEAD
- C** DOOR FRAME
- D** WALL SHEATHING
- E** EXTERIOR WALL CLADDING
- F** SUPPLEMENTAL HEAD FLASHING
- G** THRESHOLD (SILL PAN) FLASHING



TYPE 1 FLUSH MOUNT & TYPE 3 INTEGRAL CURB SKYLIGHT FLASHING METHOD SP-1/3



TYPE 2 DECK MOUNT & TYPE 4 INSET MOUNT SKYLIGHT FLASHING METHOD SP-2/4



MATERIALS KEY:

- A** ROOF UNDERLAYMENT (TYPICALLY ASPHALT SATURATED ROOF FELT)
- B** ROOF COVERING ,E.G. COMPOSITION SHINGLES
- C** SKYLIGHT FRAME
- D** ROOF SHEATHING
- E** ROOF MASTIC BEAD
- F** SHEET METAL FLASHING
- G** SEALANT OR SEALANT/ FOAM TAPE