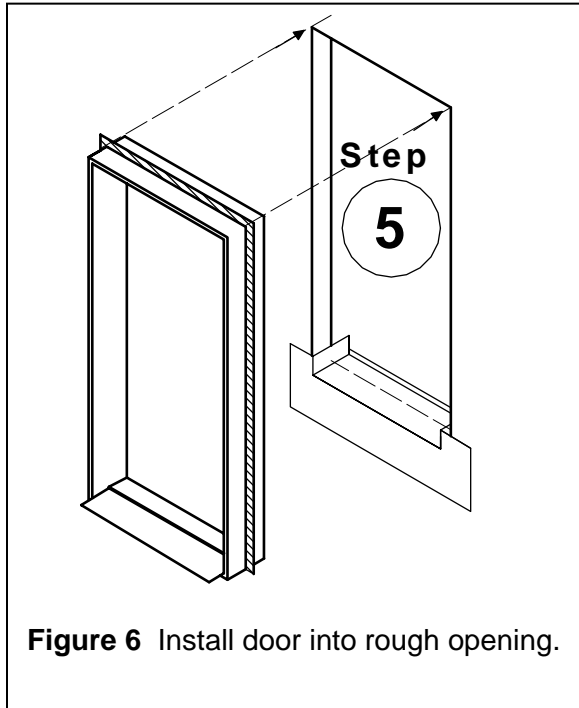


Step 5. Install door into flashed opening (see Figure 6).

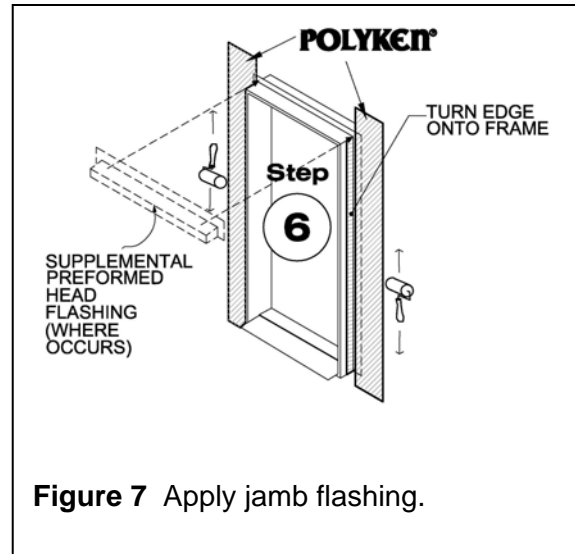


**Figure 6** Install door into rough opening.

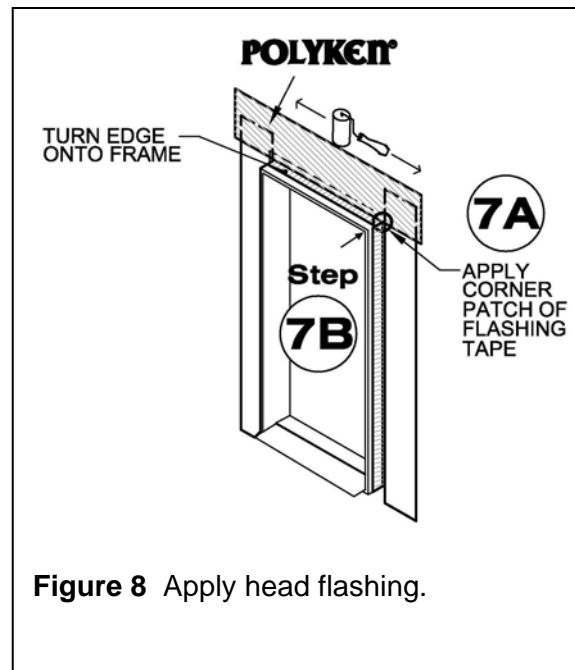
Step 6. Precut Polyken® or Nashua® jamb flashing tape to extend a minimum of 6" above and below the rough opening. Peel off release liner and adhere membrane over the jamb fins and over top of Polyken® or Nashua® sill flashing tape (see Figure 7). Turn onto frame and refer to General Application Guide, Condition 3.

Step 7. Precut Polyken® or Nashua® head flashing tape to extend a minimum of 6" beyond the jambs of the rough opening. Peel off release liner and adhere membrane over door fin (and over optional preformed head flashing). See Figure 8.

Precut Polyken® or Nashua® head flashing tape to extend beyond the jambs of the rough opening a minimum of 9 in. Peel off release liner and adhere membrane over door fin (and over optional preformed head flashing). See Figure 8. Turn onto frame and refer to General Application Guide, Condition 3.



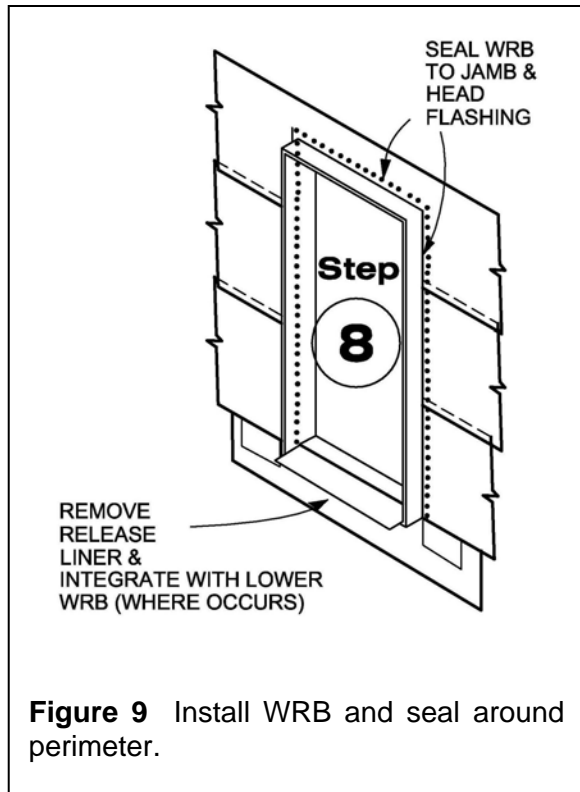
**Figure 7** Apply jamb flashing.



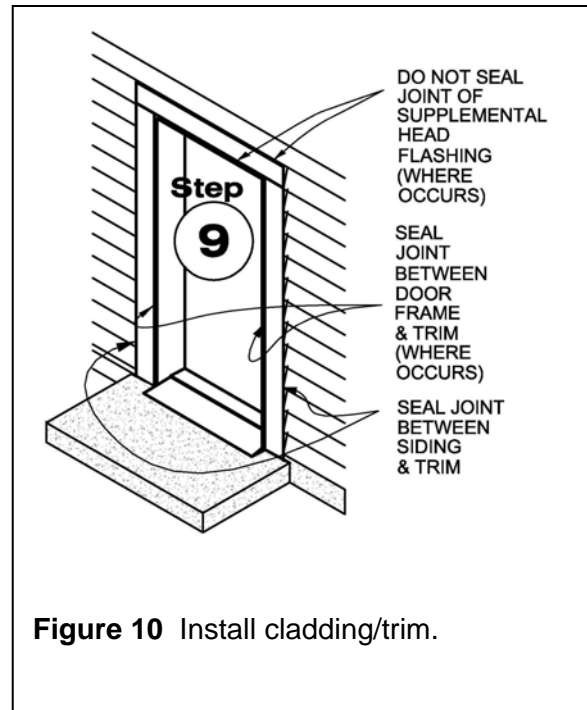
**Figure 8** Apply head flashing.

Step 8. Install weather-resistant barrier (WRB) shingle fashion from bottom of wall to top. Insert WRB under Polyken® or Nashua® sill flashing. Peel off remaining release liner from Polyken® or Nashua® sill flashing and adhere to WRB. Seal edges of WRB to Polyken® or Nashua® flashing along the window jamb and head (see Figure 9).

Step 9. Install trim and/or exterior wall cladding around perimeter of window. Seal perimeter joints per the recommendations of the cladding and window manufacturers (see Figure 10).



**Figure 9** Install WRB and seal around perimeter.



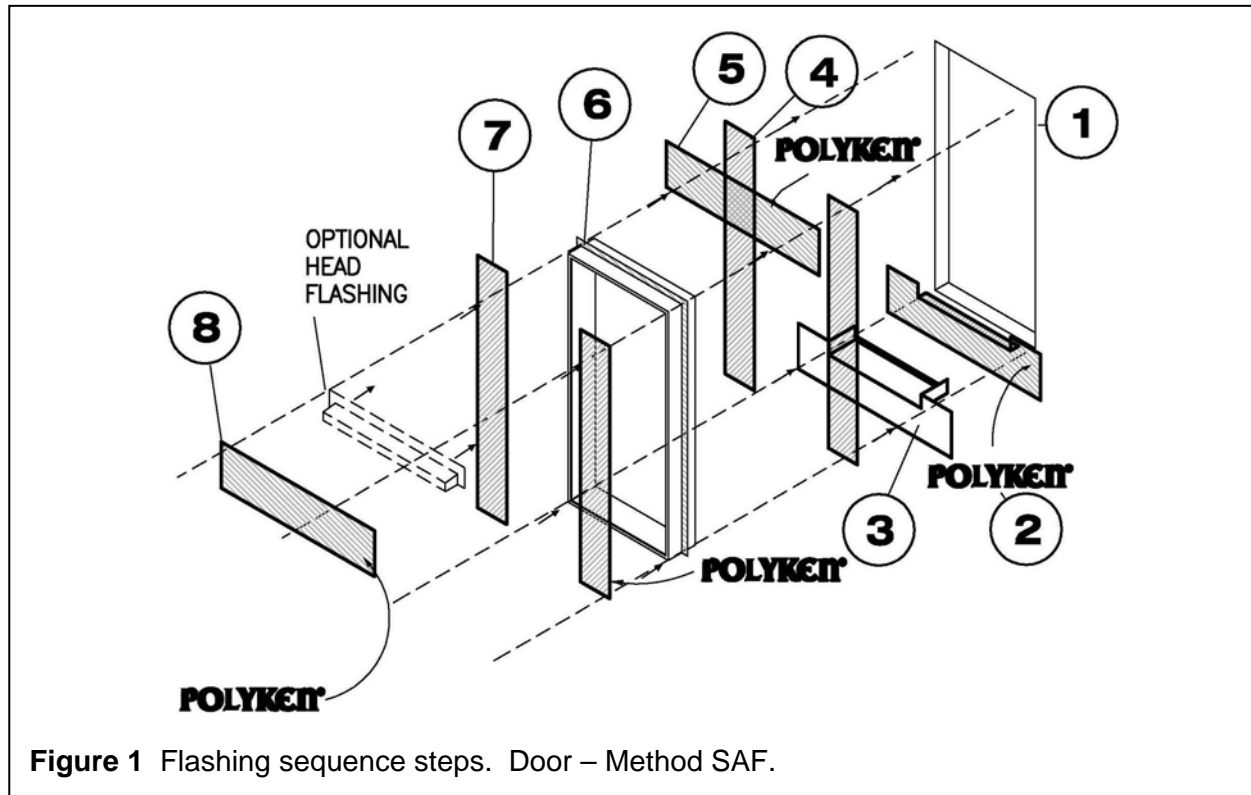
**Figure 10** Install cladding/trim.

Notice: The final determination of the sealing of joints between cladding, trim, and frame is not the responsibility of Covalence Adhesives.

**Door Flashing Application – Method SAF**

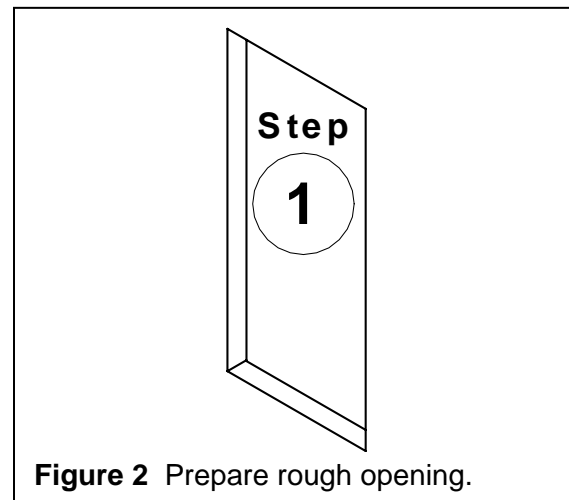
The following diagrams illustrate door flashing installation procedures that modify the methods described in ASTM E2112-07 Standard Practice for Installation of Exterior Windows, Doors and Skylights. This method uses combines features of ASTM Method A and Method B flashing under and

over the fin of the frame. A strip of Polyken® or Nashua® Flashing Tape is substituted for the bead of perimeter sealant applied under the door fins in the ASTM methods. Figure 1 is an exploded view showing the flashing sequence. The method name, “SAF”, stands for Self Adhering Flashing.



**Figure 1** Flashing sequence steps. Door – Method SAF.

Step 1. Prepare opening and surrounding substrate. Keep substrate surface clean, dry, and smooth around the perimeter (see Figure 2).



**Figure 2** Prepare rough opening.

Step 2. Precut length of Polyken® or Nashua® sill flashing tape to extend a minimum of 6" beyond the rough opening at both jambs.

Score backside of Polyken® or Nashua® sill flashing cutting lightly through release liner a few inches from top edge to act as a substrate adhering edge. Keep bottom portion of release liner on Polyken® or Nashua® sill flashing until removed later. Apply Polyken® or Nashua® sill flashing tape across rough opening sill and into threshold opening(see Figure 3).

Step 2a. Apply Polyken® or Nashua® circle boots at corners of sill-jamb junctures (see Figure 3).

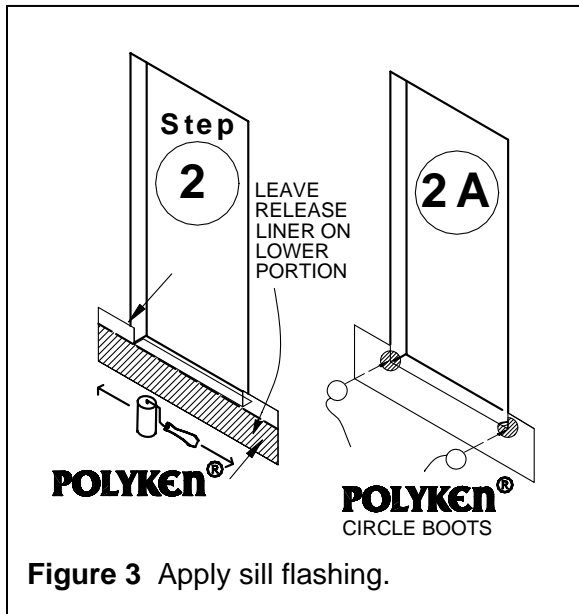


Figure 3 Apply sill flashing.

Step 3. Install preformed threshold (sill) pan over Polyken® or Nashua® sill flashing. Do not fasten pan through horizontal portion of pan. (See Figure 4).

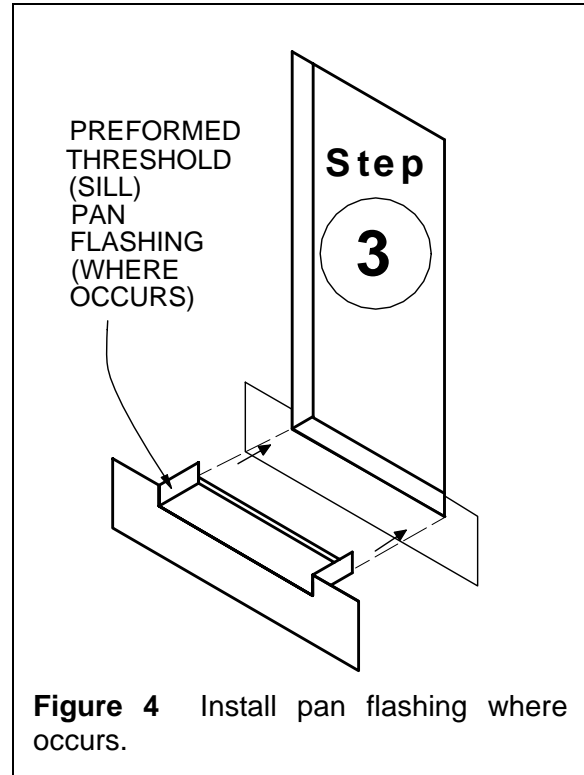


Figure 4 Install pan flashing where occurs.

Step 4. Precut Polyken® or Nashua® jamb flashing tape to extend a minimum of 6" above and below the rough opening. Peel off release liner and adhere Polyken® or Nashua® jamb flashing over the jamb fins and over top of Polyken® or Nashua® sill flashing (see Figure 5).

Step 5. Precut Polyken® or Nashua® head flashing tape to extend a minimum of 6" beyond the jambs of the rough opening. Peel off release liner and adhere Polyken® or Nashua® head flashing over head opening and jamb flashings (see Figure 6).

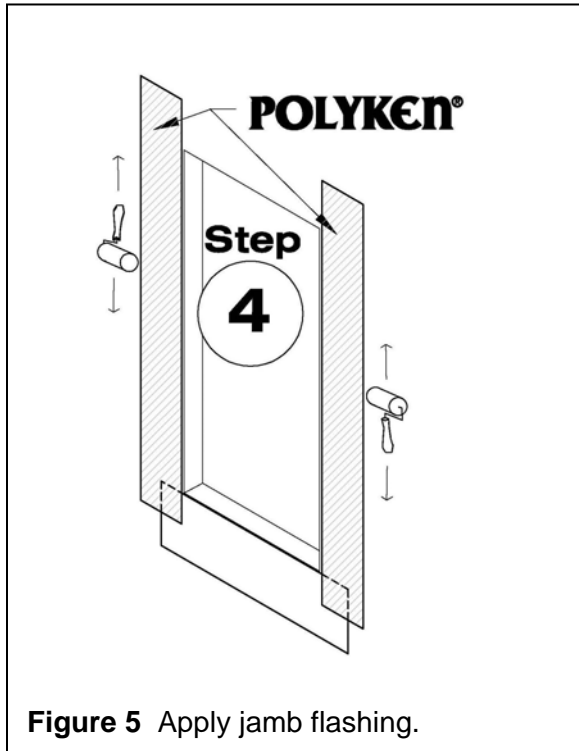


Figure 5 Apply jamb flashing.

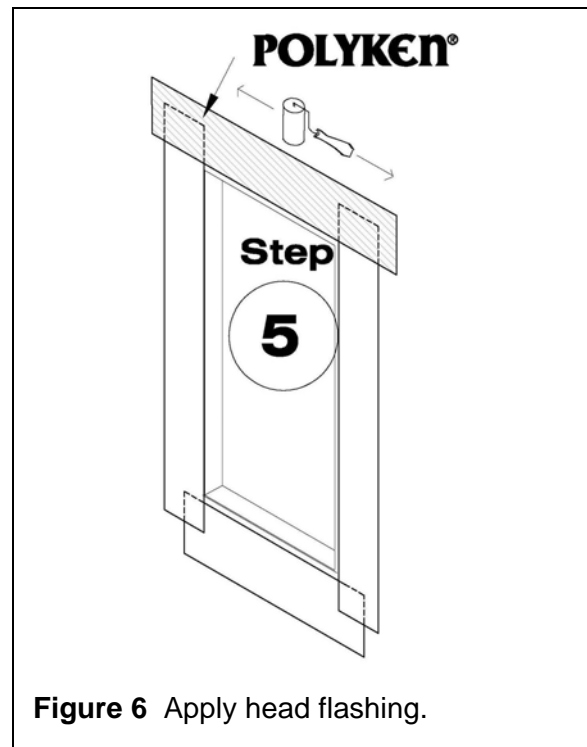
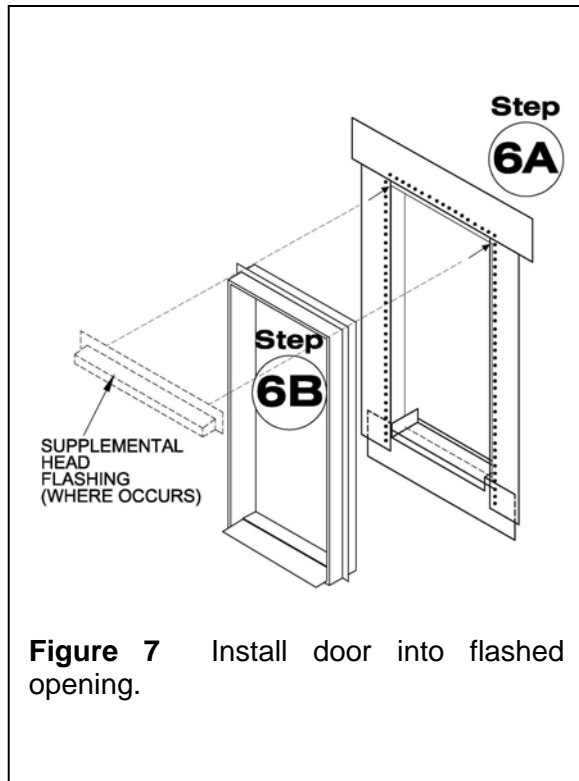


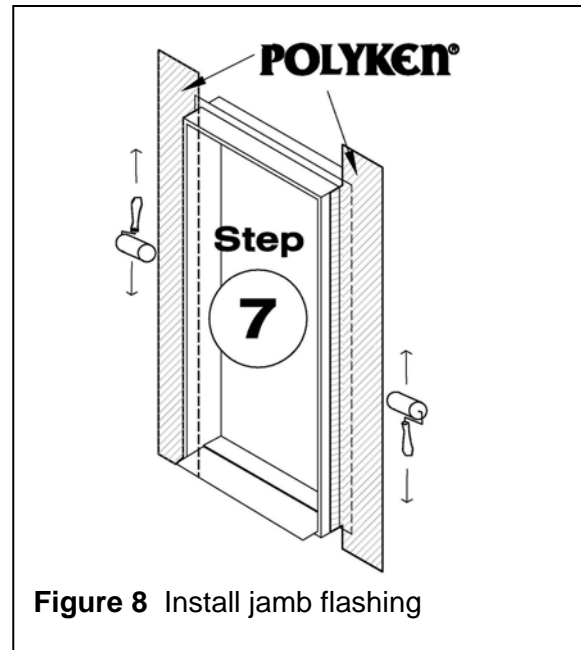
Figure 6 Apply head flashing.

Step 6. Install door in opening (see Figure 7).



**Figure 7** Install door into flashed opening.

adhere to WRB. Seal edges of WRB to door jamb and head (see Figure 10).

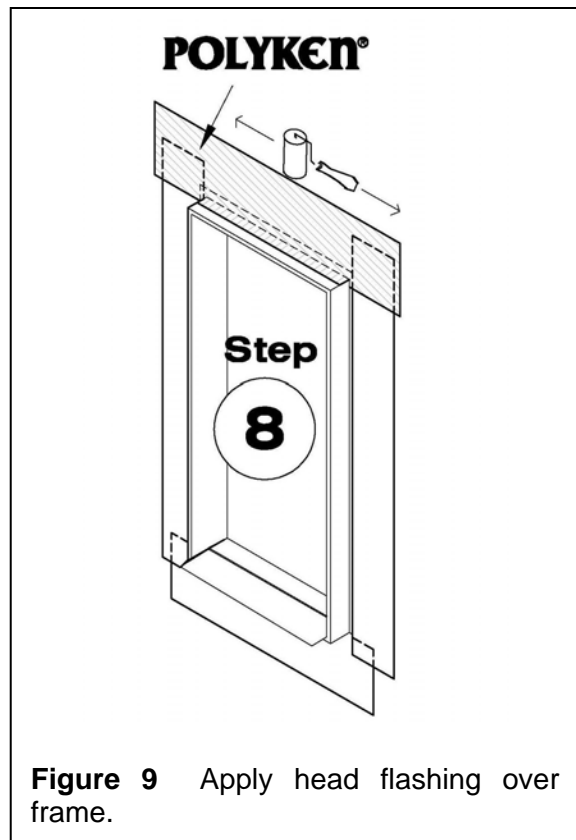


**Figure 8** Install jamb flashing

Step 7. Precut Polyken® or Nashua® jamb flashing tape to extend 4” minimum above head and 4” minimum below sill (unless deck or slab interferes). Peel off release liner and adhere membrane over jamb finds and into frame. Refer to General Application Guide, Condition 3.

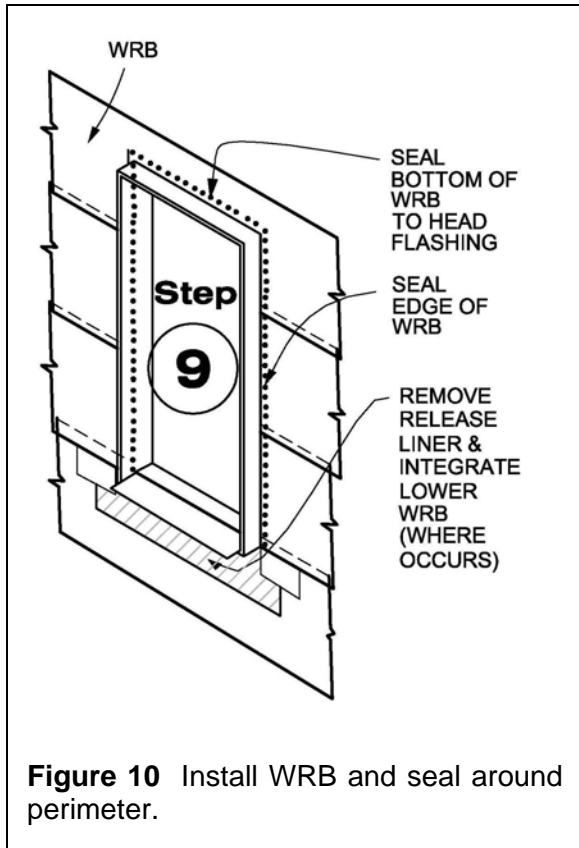
Step 8. Precut Polyken® head flashing tape to extend a minimum of 6” beyond the jambs of the rough opening. Peel off release liner and adhere Polyken® membrane over door fin and optional preformed head flashing (see Figure 9).

Step 9. Install weather-resistant barrier (WRB) shingle fashion from bottom of wall to top. Integrate sill flashing by inserting WRB under sill flashing. Peel off remaining release liner from Polyken® sill flashing and

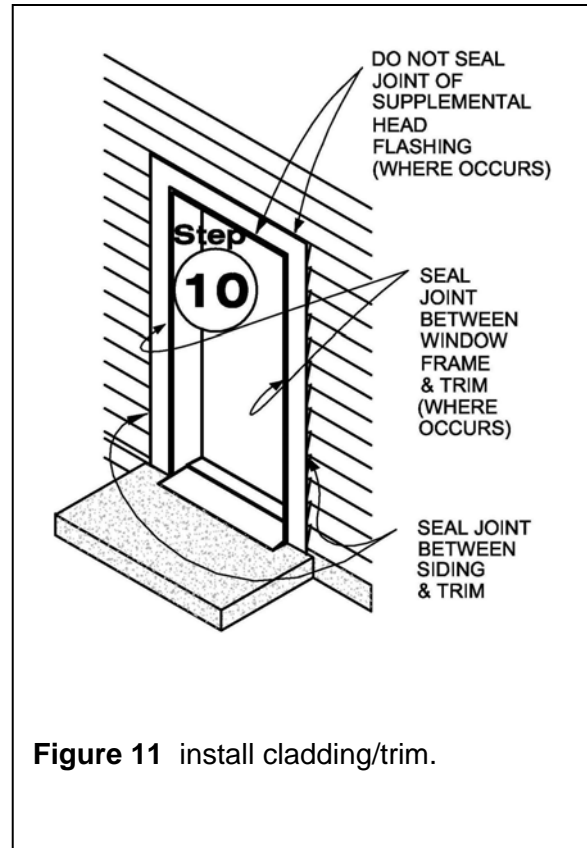


**Figure 9** Apply head flashing over frame.

Step 10. Install trim and/or exterior wall cladding around perimeter of door. Seal perimeter joints per the recommendations of the cladding and door manufacturers (see Figure 11).



**Figure 10** Install WRB and seal around perimeter.



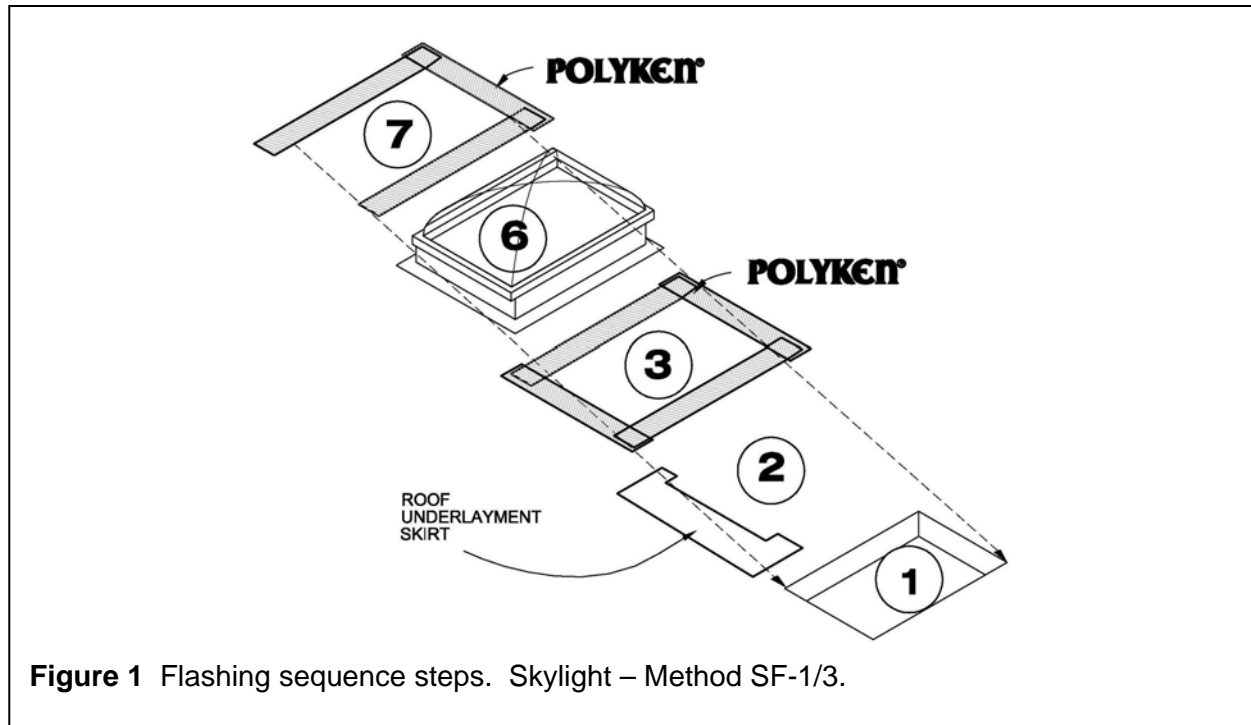
**Figure 11** install cladding/trim.

Notice: The final determination of the sealing of joints between cladding, trim, and frame is not the responsibility of Berry Plastics.

**Type 1 Flush Mount and Type 3 Integral Curb Skylight Flashing – Method SP-1/3**

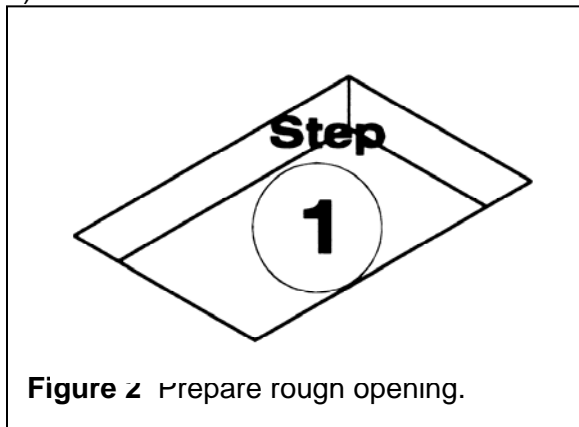
The following diagrams illustrate skylight flashing installation procedures that modify the method described in ASTM E2112-07 Standard Practice for Installation of Exterior Windows, Doors and Skylights. A strip of Polyken® or Nashua® Flashing Tape is

substituted for the roof mastic shown in the ASTM method. This sequence is for skylights that have an integral curb with a flange in the roof plane. The method presumes the roofing is asphalt shingles; the sequence is easily modified to accommodate other steep roofing systems. Figure 1 is an exploded view showing the flashing sequence.



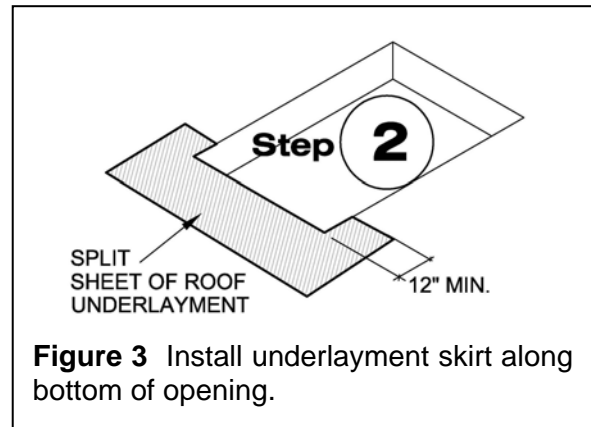
**Figure 1** Flashing sequence steps. Skylight – Method SF-1/3.

Step 1. Prepare skylight rough opening. Clear a margin of solid, smooth substrate around the opening perimeter (see Figure 2).



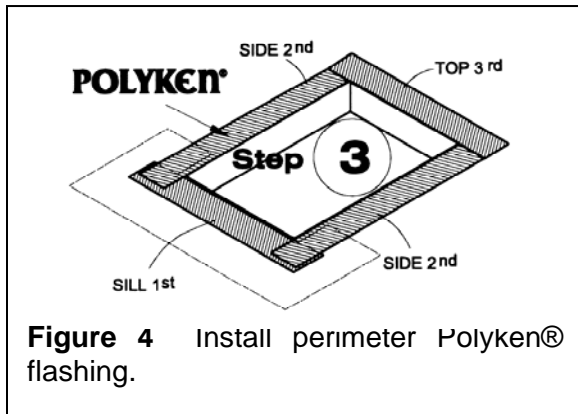
**Figure 2** Prepare rough opening.

Step 2. Install a skirt of roof underlayment along the sill of the skylight opening. The remaining underlayment will be integrated with this skirt in Step 4 (see Figure 3).



**Figure 3** Install underlayment skirt along bottom of opening.

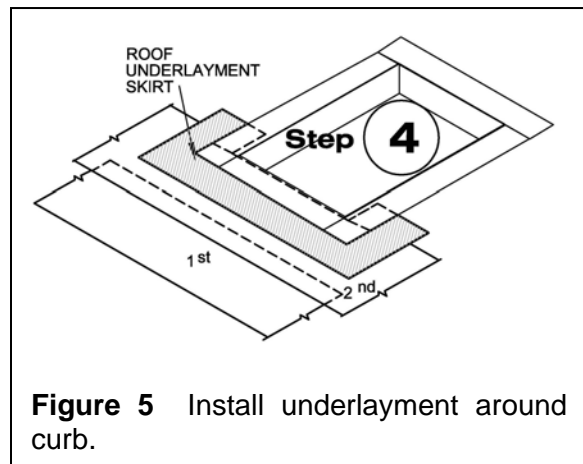
Step 3. Apply strips of Polyken® or Nashua® flashing around the opening starting with the sill, then the sides, and the head. Extend Polyken® or Nashua® flashing a minimum of 6" beyond the opening on all sides. Hand roller strips and laps flat to substrate at sides and to underlayment skirt at sill (see Figure 4).



**Figure 4** Install perimeter Polyken® flashing.

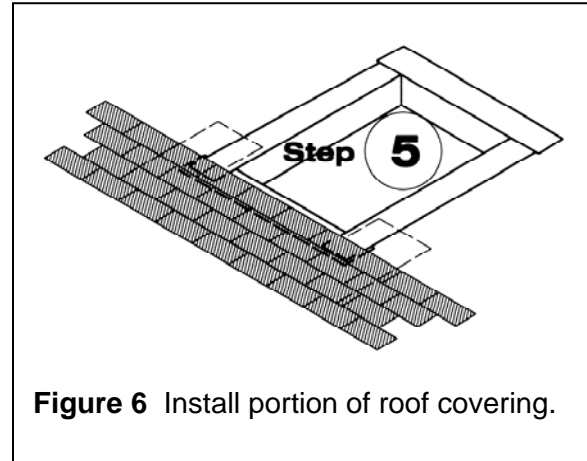
Notice: The following installation details and sequence of skylights, underlaments, and roof coverings is not the responsibility of Berry Plastics. Consult specific product manufacturers.

Step 4. Install the roof underlayment in shingle fashion with the course below the skylight. Continue to lay out the underlayment around the sides and head (see Figure 5).



**Figure 5** Install underlayment around curb.

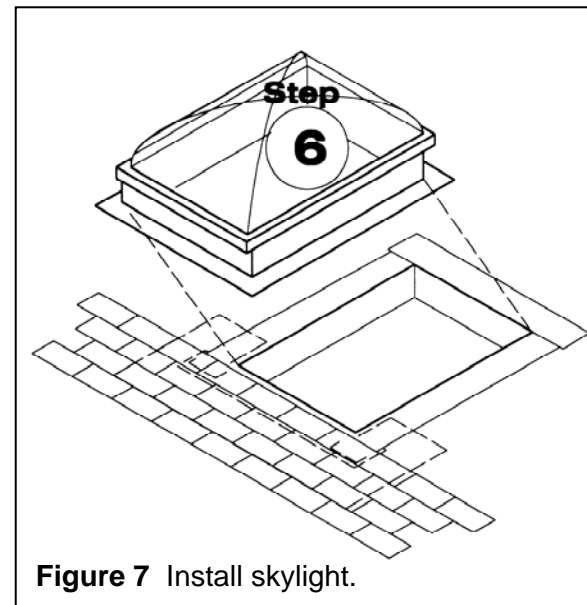
Step 5. Install a portion of roof covering below the skylight sill curb. Coordinate position of roofing with final layout (see Figure 6).



**Figure 6** Install portion of roof covering.

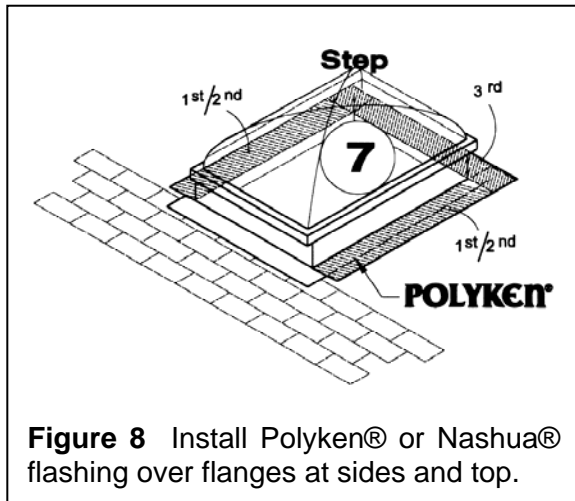
Step 6. Seal edge of roofing at sides and head to underlayment. Keep edge of roofing 1/2" minimum from main body of skylight frame.

Install skylight over perimeter Polyken® or Nashua® flashing strips. (Bed in bead of sealant optional). Fasten sides and top per skylight manufacturer. Do not fasten at bottom (see Figure 7).



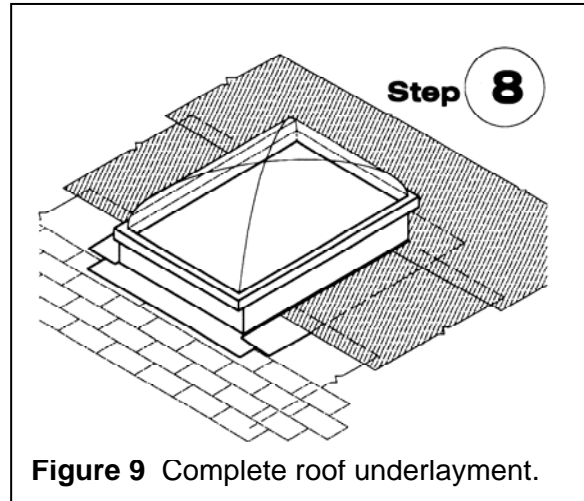
**Figure 7** Install skylight.

Step 7. Apply Polyken® or Nashua® flashing strips along both sides of skylight over flange extending a minimum of 6" above top of opening. Using a hand roller, roll strips flat to flange and underlying Polyken® or Nashua® flashing strip at opening perimeter. Apply Polyken® or Nashua® flashing strip across top (head) of skylight frame covering flange and lapping onto underlying Polyken® or Nashua® flashing strips. Roll head flashing flat (see Figure 8).



**Figure 8** Install Polyken® or Nashua® flashing over flanges at sides and top.

Step 8. Complete installation of roof underlayment in shingle fashion. Tuck underlayment under skirt at sill. Continue to lay out the underlayment around the sides and head. Install underlayment over Polyken® or Nashua® flashing strips at jambs and head. Cut underlayment edges back ½" to 1" back from edge of the main skylight frame. Seal the edges of the underlayment to the Polyken® or Nashua® flashing strips (see Figure 9).



**Figure 9** Complete roof underlayment.

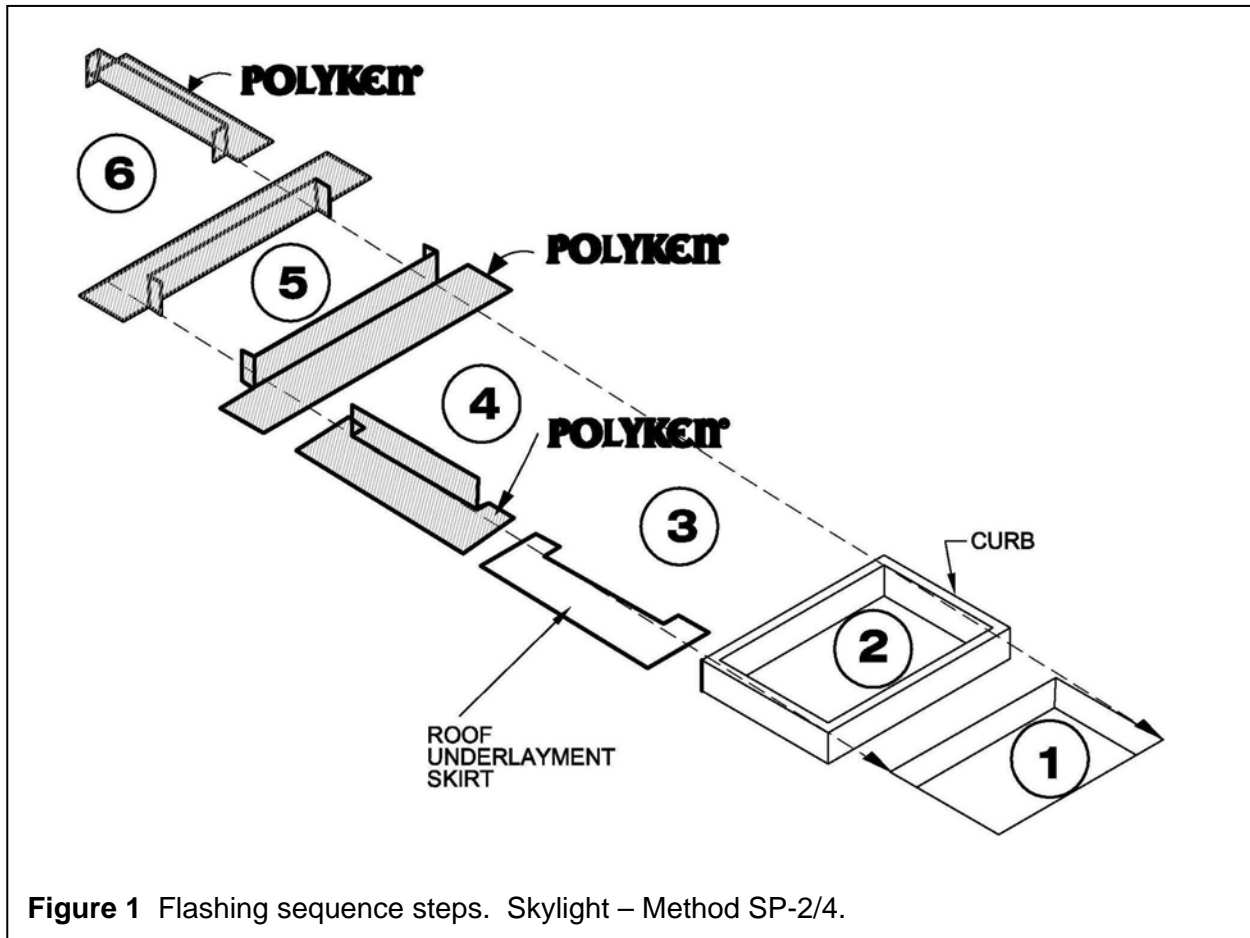
Keep the underlayment at the sides from extending below the sill edge of the skylight frame.

Step 9. Complete roof covering installation. Seal edge of roofing at sides (jamb) and head (top) to underlayment with roof mastic. Keep edge of roofing ½" minimum from main body of skylight frame.

**Type 2 Curb Mount and Type 4 Inset Mount Skylight Flashing – Method SP – 2/4**

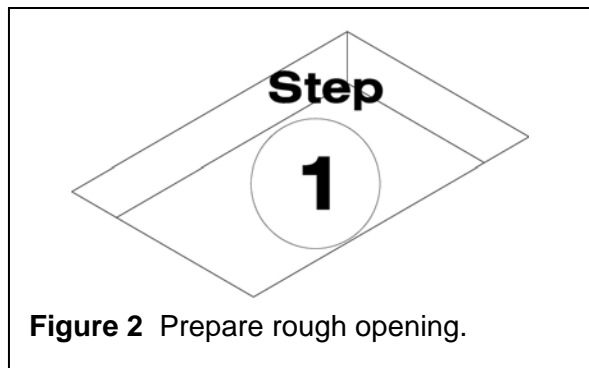
The following diagrams illustrate skylight flashing procedures that modify the method described in ASTM E2112-07 Standard Practice for Installation of Exterior Windows, Doors and Skylights. A strip of Polyken® or

Nashua® Flashing Tape is substituted for the roof mastic shown in the ASTM method. This sequence is for skylights that mount on a separate, site built or prefabricated curbs. The method presumes the roofing is asphalt shingles; the sequence is easily modified to accommodate other steep roofing systems. Figure 1 is an exploded view showing the flashing sequence.



**Figure 1** Flashing sequence steps. Skylight – Method SP-2/4.

Step 1. Prepare skylight rough opening. Clear a margin of solid, smooth substrate around the opening perimeter (see Figure 2).



**Figure 2** Prepare rough opening.

Step 2. Construct the perimeter curb around the skylight rough opening. Comply with skylight manufacturer's recommendations and building code requirements (see Figure 3).

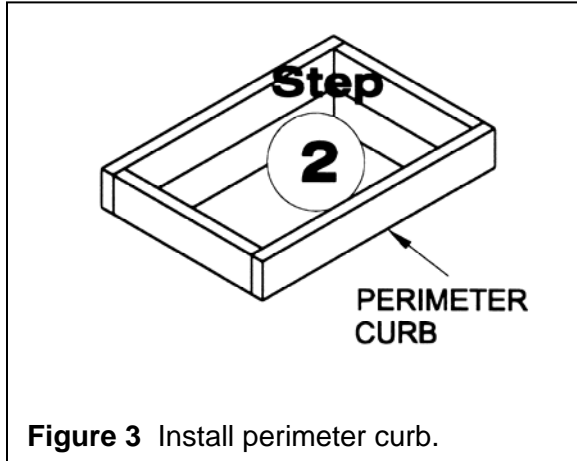


Figure 3 Install perimeter curb.

Step 3. Install a skirt of roof underlayment along the bottom of the skylight opening. The remaining roof underlayment will be integrated with this skirt in Step 8. (see Figure 4). Apply a strip of Polyken® or Nashua® flashing along the bottom (sill) of the skylight curb, lapping up the vertical leg of curb and across the skirt of roof underlayment. Extend the ends of sill flashing tape beyond the curb 6" minimum. Roll the strip flat. Caution: Do not tear Polyken® or Nashua® in angle (see

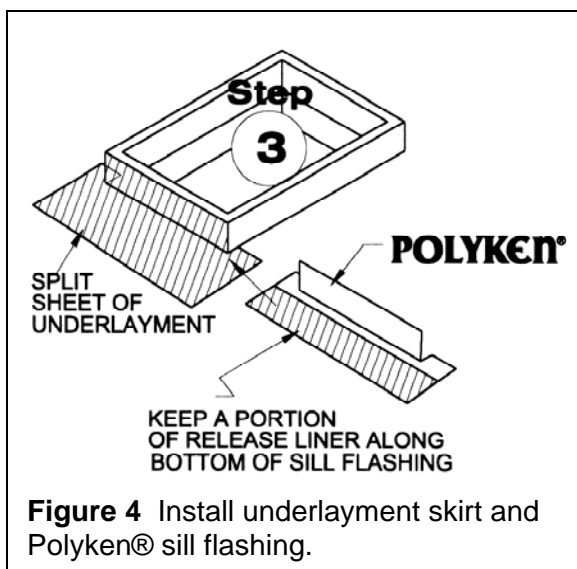


Figure 4 Install underlayment skirt and Polyken® sill flashing.

Application Guide – General).

Step 4. Apply Polyken® or Nashua® circle boots at lower curb corners (see Figure 5).

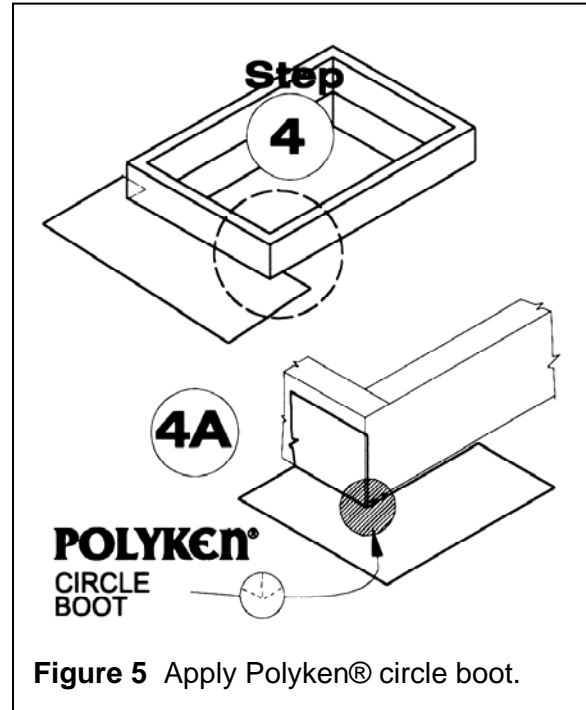


Figure 5 Apply Polyken® circle boot.

Step 5. Apply Polyken® or Nashua® flashing strips along both sides of the skylight opening curb. Lap Polyken® or Nashua® up the vertical leg of curb and across the roof substrate. Lap the bottom ends of side flashing a minimum of 6” over the ends of the sill flashing tape. Extend the top ends a minimum of 6” beyond the top of the curb. Carefully roll the strips and laps flat. Do not tear the vertical-to-horizontal juncture (see Figure 6).

Step 5a. Apply circle boots of Polyken® (approximately 3 in. in diameter) at the upper corners of the skylight curb (see Figure 6). (Follow instructions in the Application Guide – General.)

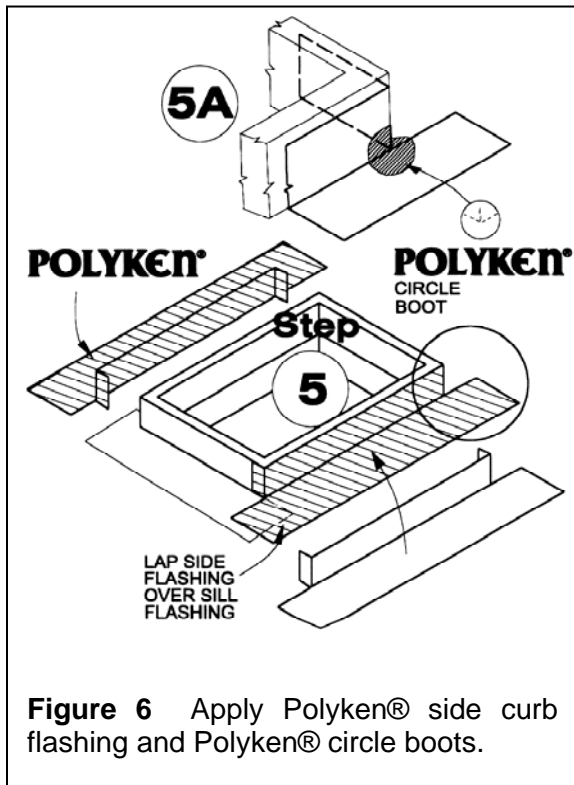


Figure 6 Apply Polyken® side curb flashing and Polyken® circle boots.

Step 6. Apply Polyken® or Nashua® flashing strip across top of skylight curb, lapping up the vertical leg of curb and across the roof substrate. Lap the vertical ends over the ends of the side flashing tapes (see Figure 7).

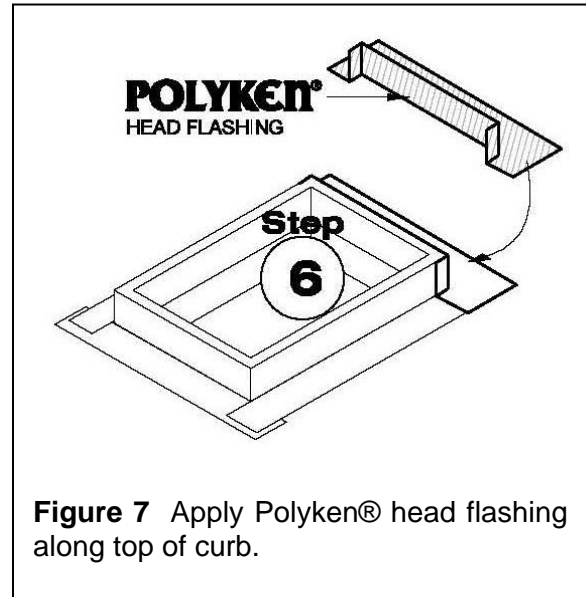
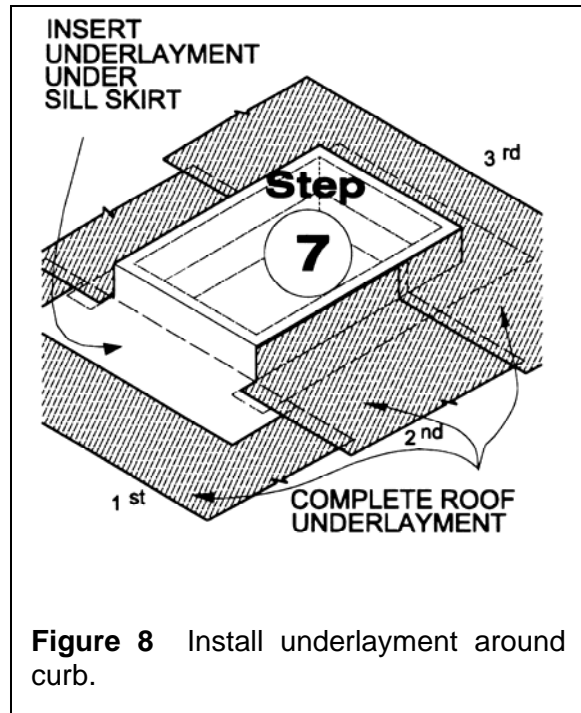


Figure 7 Apply Polyken® head flashing along top of curb.

Keep the underlayment at the sides from extending below the sill edge of the skylight frame.

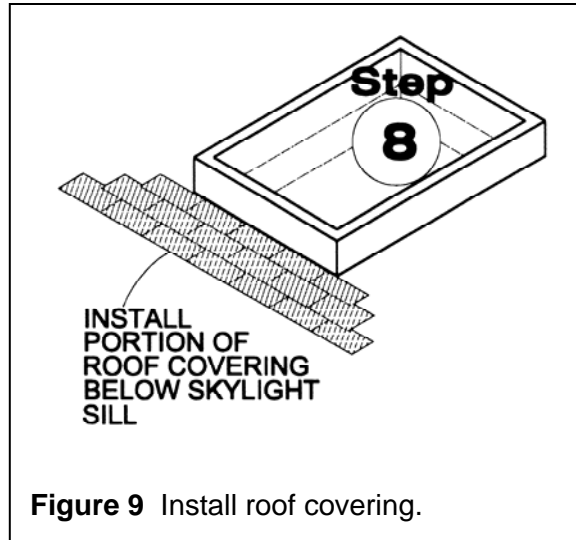
Step 7. Complete installation of roof underlayment in shingle fashion. Tuck underlayment under skirt at sill. Continue to lay out the underlayment around the sides and head. Fold the underlayment up the curb at the sides and head (see Figure 8).



**Figure 8** Install underlayment around curb.

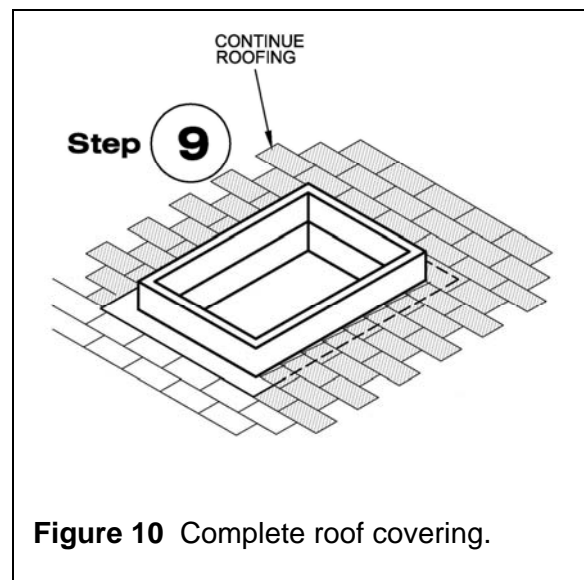
Notice: The following installation details and sequence of skylights, underlayments, and roof coverings is not the responsibility of Berry Plastics. Consult specific product manufacturers.

Step 8. Install a portion of roof covering below the skylight bottom (sill) curb. Coordinate position of roofing with final layout (see Figure 9).



**Figure 9** Install roof covering.

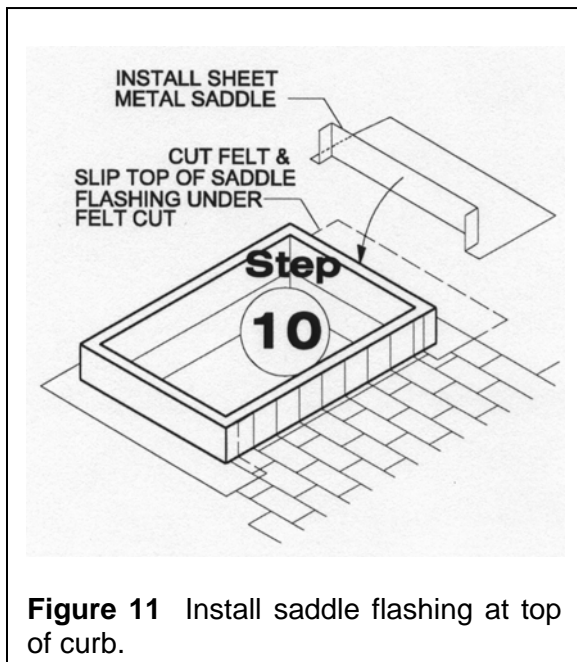
Step 9. Install sheet metal sill apron flashing at bottom of skylight curb. Insert top ends of sheet metal flashing under roof underlayment. Cut and modify roof underlayment as required to lap over top edges of sheet metal flashing (see Figure 10).



**Figure 10** Complete roof covering.

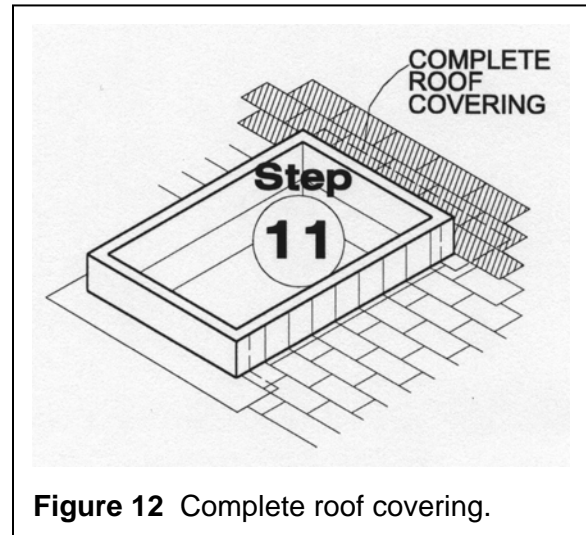
Step 10. Install metal step shingle flashing and interweave with roof covering along sides of skylight curb.

Install sheet metal head flashing (saddle flashing or cricket type flashing) across top of skylight curb. (Note: Generally, skylight widths greater than 24 inches should have a cricket type flashing on the upslope side.) Cut roof underlayment along top of flashing edge and insert top of saddle underneath roof underlayment to lap a minimum of 6 inches. Seal bottom edge of roof underlayment to flange of head flashing (see Figure 11).



**Figure 11** Install saddle flashing at top of curb.

Step 11. Complete roof covering along top of skylight. Do not install roof covering too close to curb of skylight to allow proper drainage and to avoid a pocket for debris build-up. Follow skylight and roof covering manufacturers' recommendations (see Figure 12).



**Figure 12** Complete roof covering.

Step 12. Install a bead of sealant around top of roof curb or use a foam adhesive tape for future skylight removal (see Figure 13). Another option is to apply a strip of Polyken® or Nashua® flashing tape as counterflashing for the skylight curb flashing.

Step 13. Install skylight. Fasten per skylight manufacturer's recommendations (see Figure 14).

