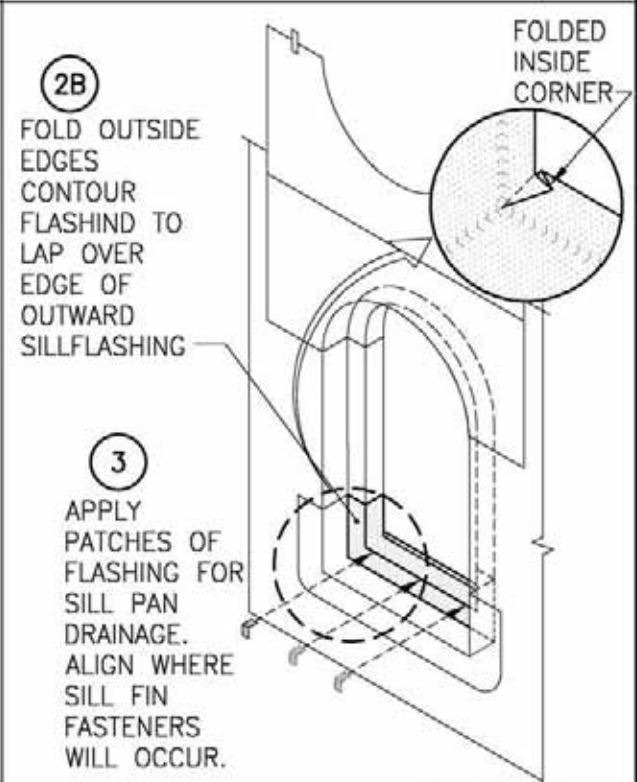
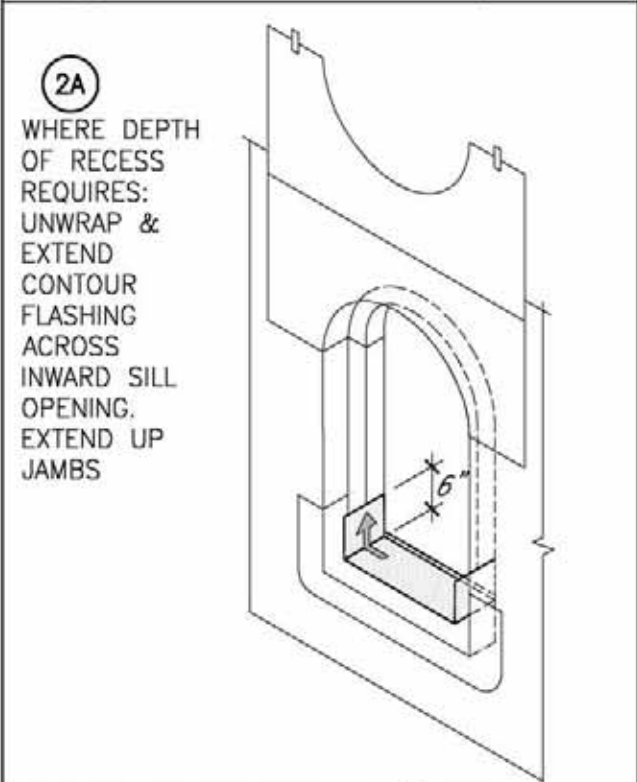
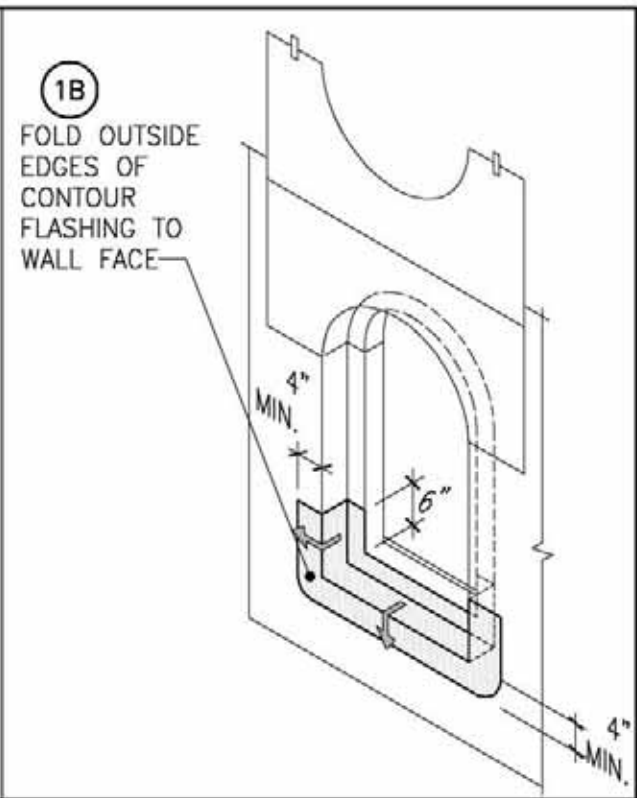
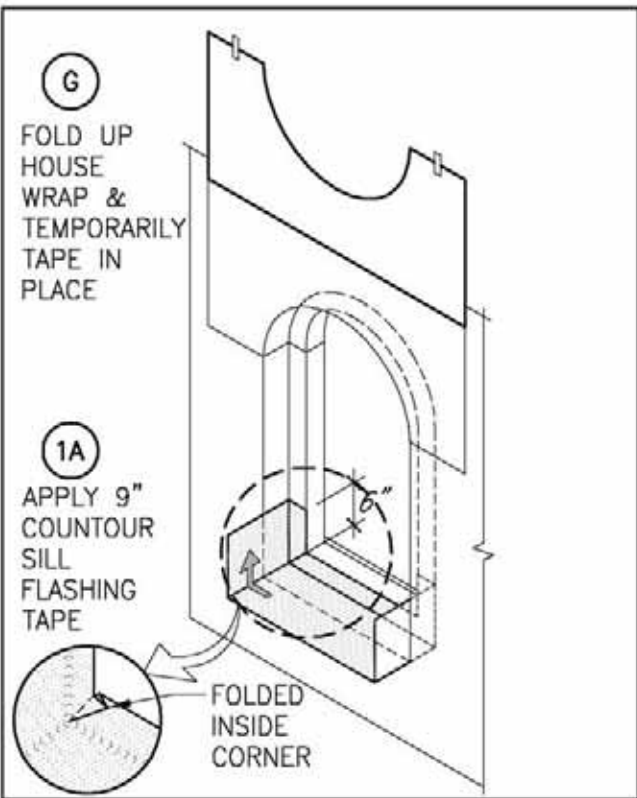


I:\Projects\2006\6007220-PCU-Y\Drafting\Working_Set\Details\7-D_Contour Flashing Sequence Diagram\PCU_Y_Fig-7.1_CS944.dwg, 10/15/2007 3:20:08 PM, wrowers



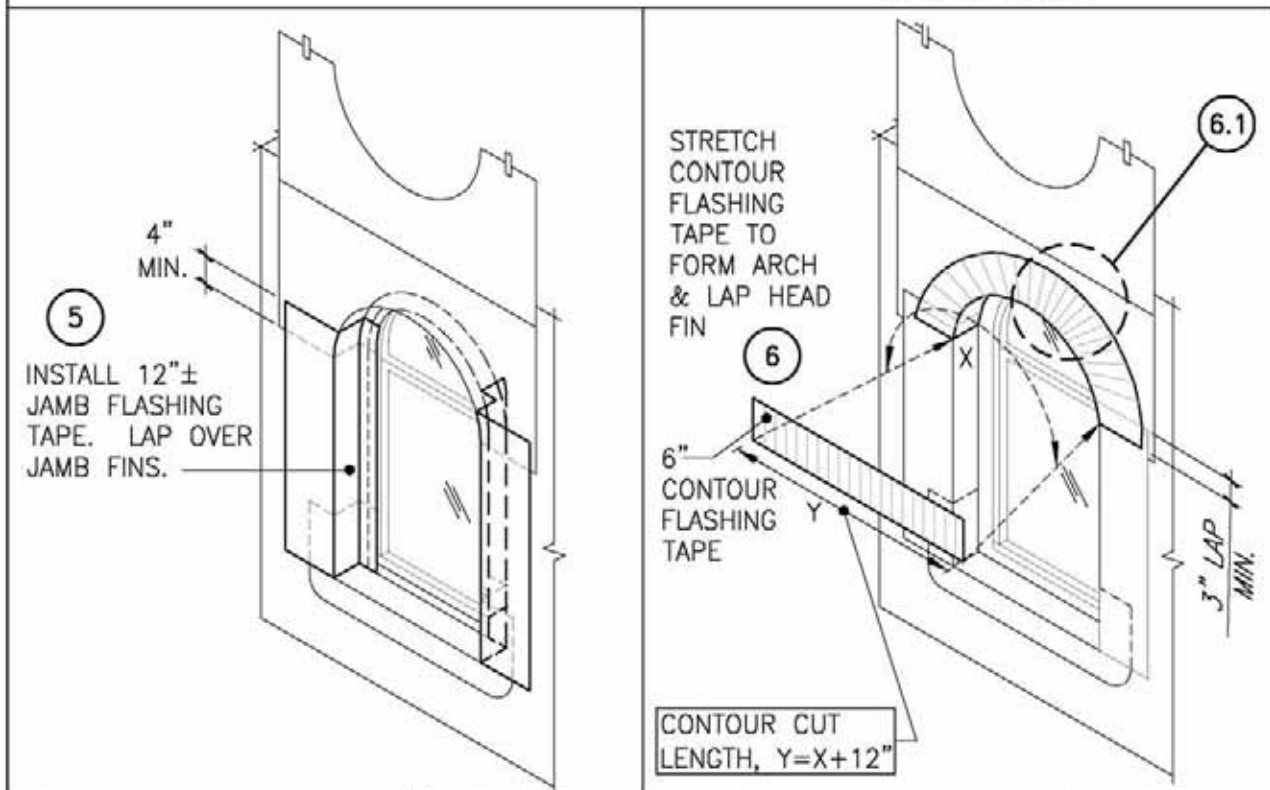
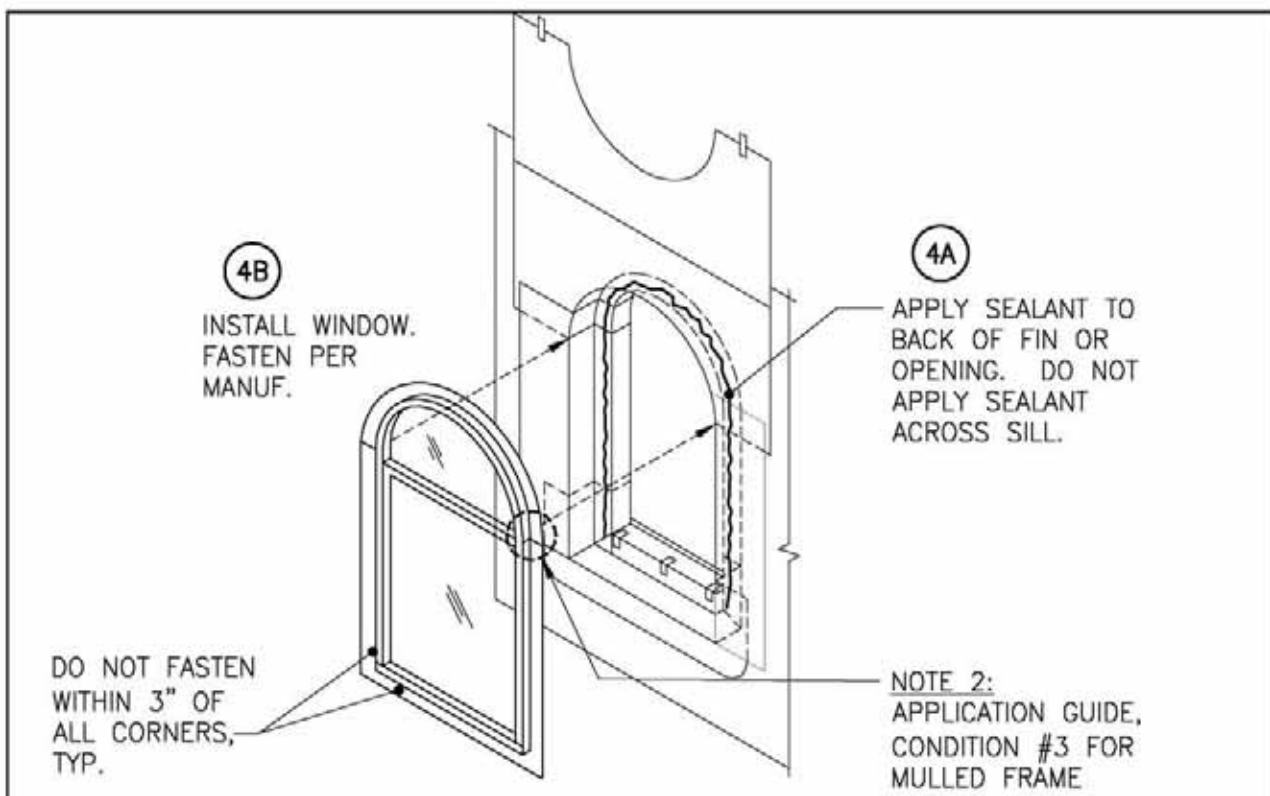
BERRU
PLASTICS CORPORATION
AND SUBSIDIARIES
TAPES AND COATINGS DIVISION

Project: RECESSED OPENING, HOUSEWRAP NAIL-FIN, ARCHED HEAD

Title: CONTOUR: ARCH WINDOW, METHOD A1

Drawing No: RAH.2

I:\Projects\2006\6067220-PCU-Y\Drafting\Working_Set\Details\7-D_Contour Flashing Sequence Diagram\PCU_Y_Fig.7.3_CS944.dwg, 10/15/2007 3:26:08 PM, wrowers

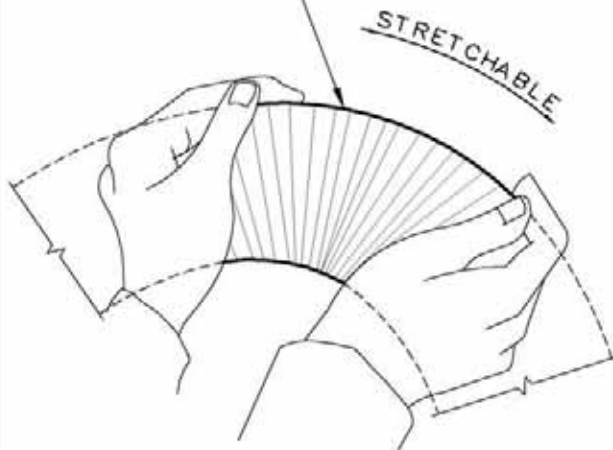


Project:
 RECESSED OPENING, HOUSEWRAP
 NAIL-FIN, ARCHED HEAD

Title:
 CONTOUR: ARCH WINDOW, METHOD A1

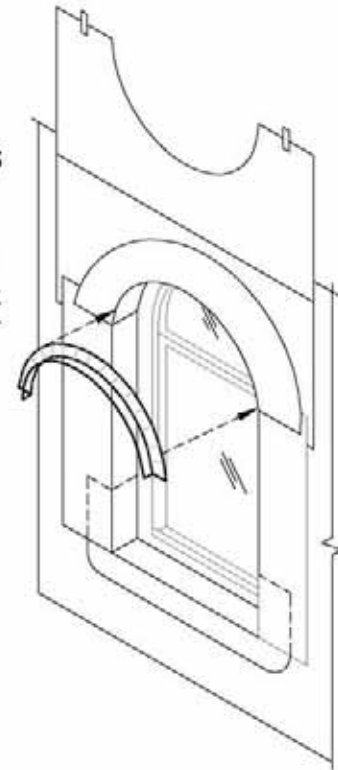
Drawing No.:
RAH.3

6.1 CONTOUR FLASHING CAN CONFORM TO ARCH



SUPPLEMENTAL HEAD FLASHING AT OPENING RECESS AS REQUIRED FOR EXTERIOR WALL CLADDING TYPE

7

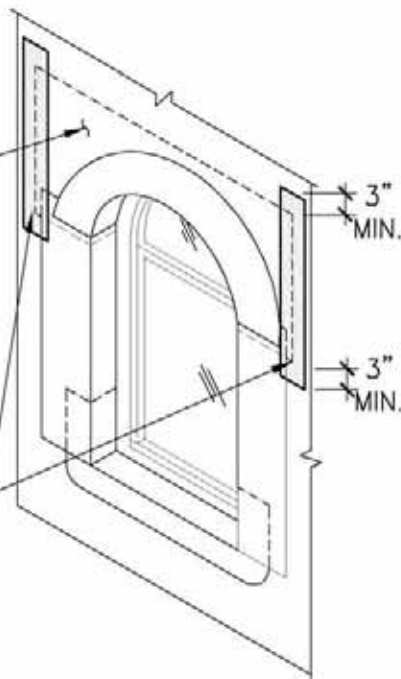


8A

FOLD DOWN WRB FLAP AT HEAD

8B

APPLY 4" FLASHING TAPE OVER SEAMS OF FOLDED DOWN FLAP



Project:

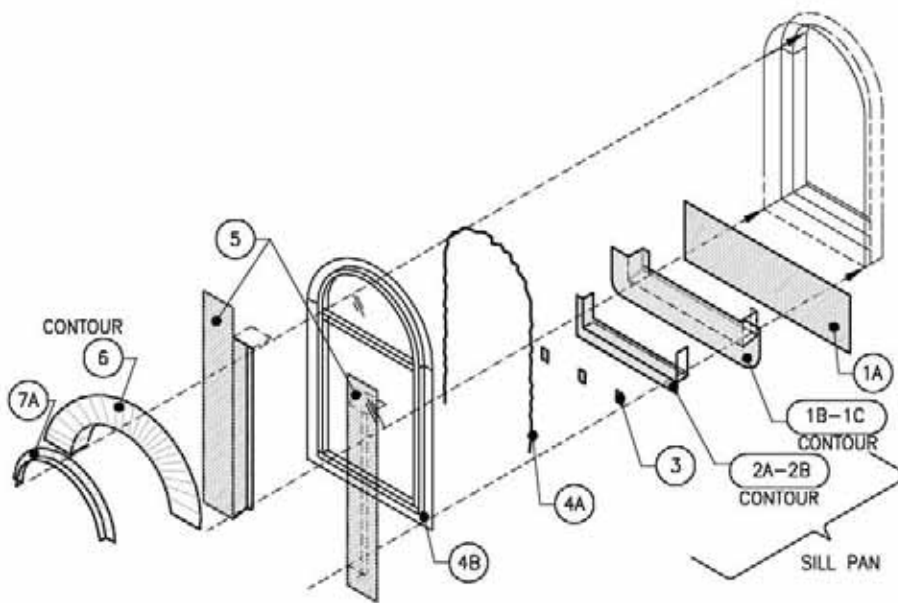
RECESSED OPENING, HOUSEWRAP NAIL-FIN, ARCHED HEAD

Title:

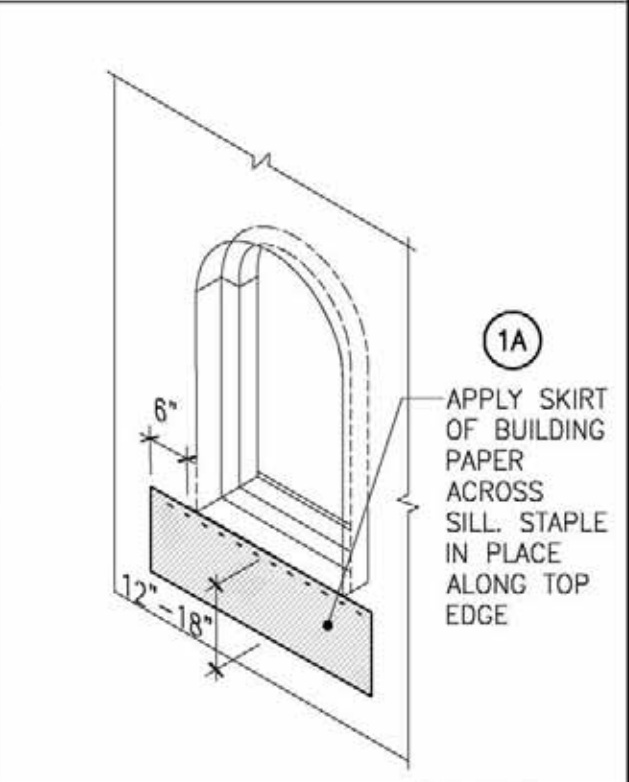
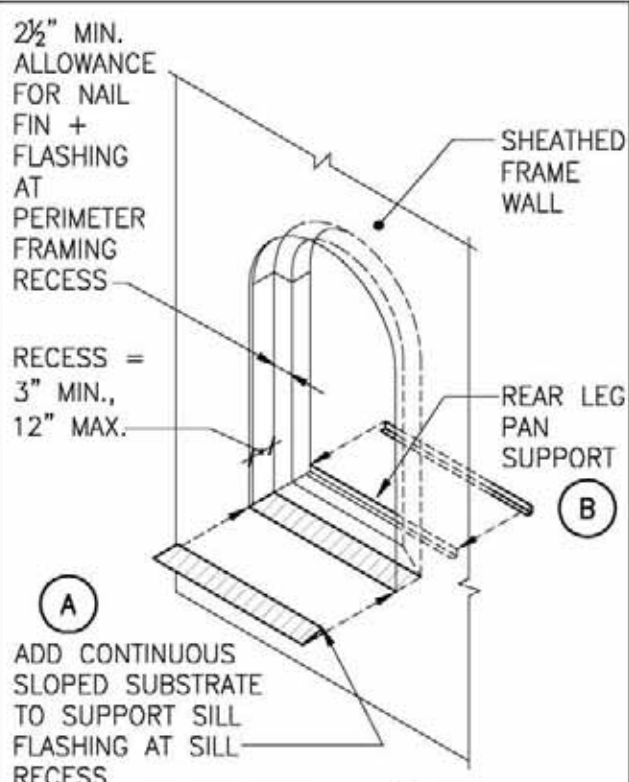
CONTOUR: ARCH WINDOW, METHOD A1

Drawing No:

RAH.4



FLASHING SEQUENCE ① - ⑦, BUILDING PAPER ⑧

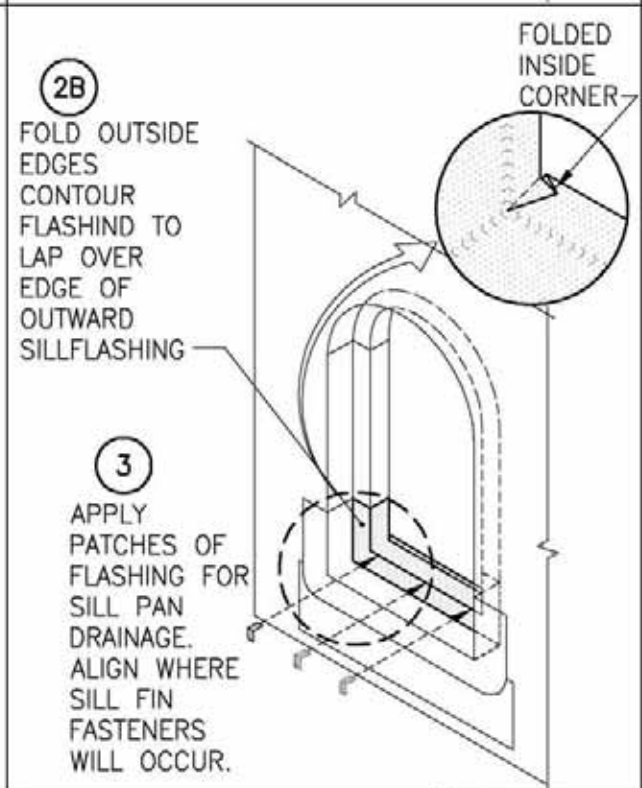
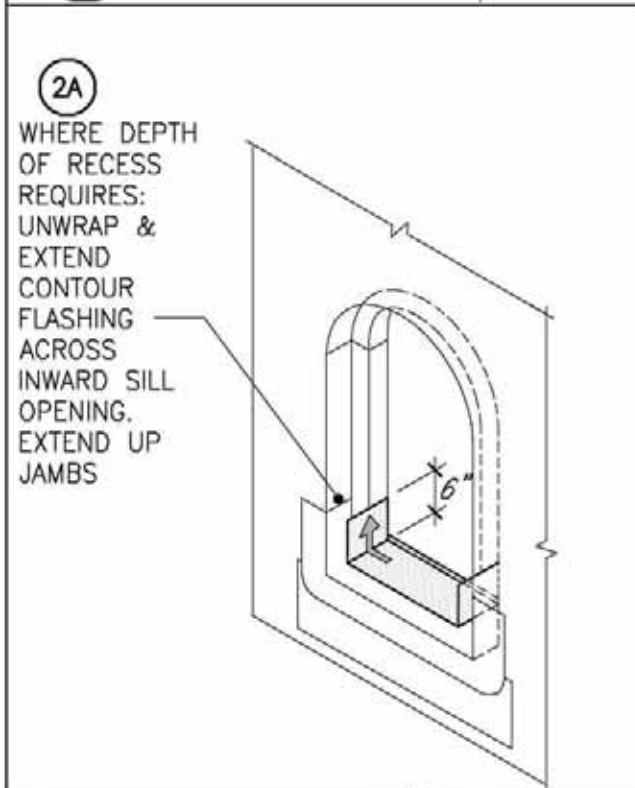
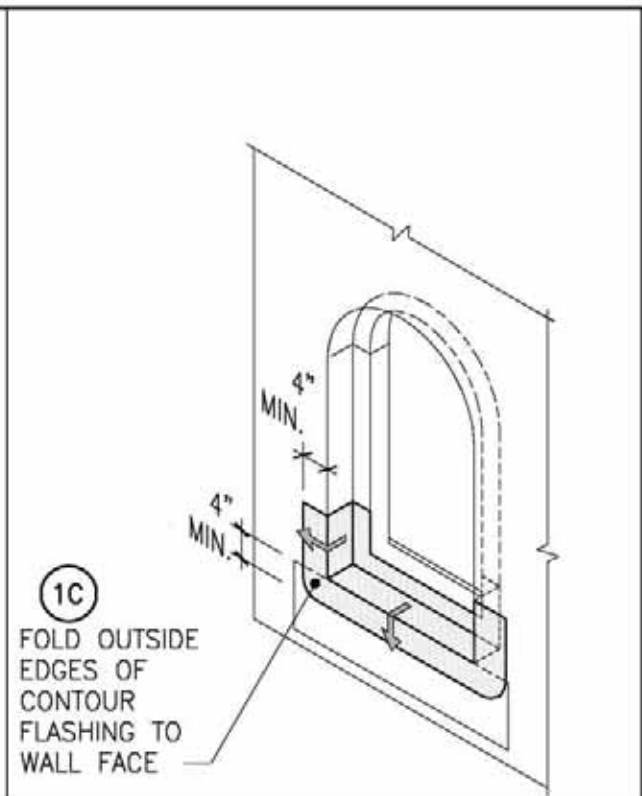
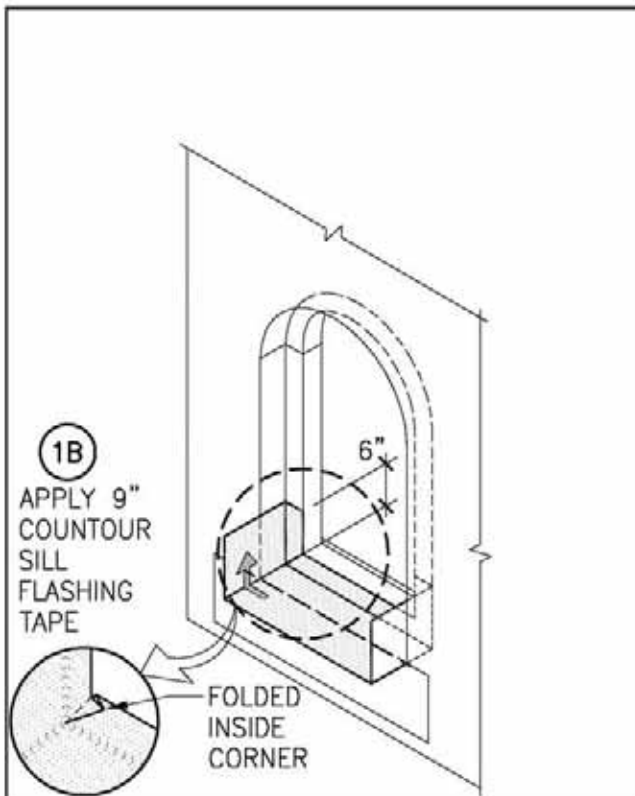


Project: RECESSED OPENING, HOUSEWRAP NAIL-FIN, ARCHED HEAD
 Title: CONTOUR: ARCH WINDOW, METHOD A

Drawing No: RAB.1

I:\Projects\2006\0607220-PC\Y:\Drafting\Working_Set\Details\7_D_Contour Flashing Sequence Diagram\PCV_Fig.7.4_CSAB.dwg, 10/15/2007 3:20:11 PM, wfookers

I:\Projects\2006\0607220-PCLY\Drafting\Working_Set\Details\7_D_Contour Flashing Sequence Diagram\PCLY_Fig.7.4_CSAB.dwg, 10/15/2007 3:20:12 PM, wfookers



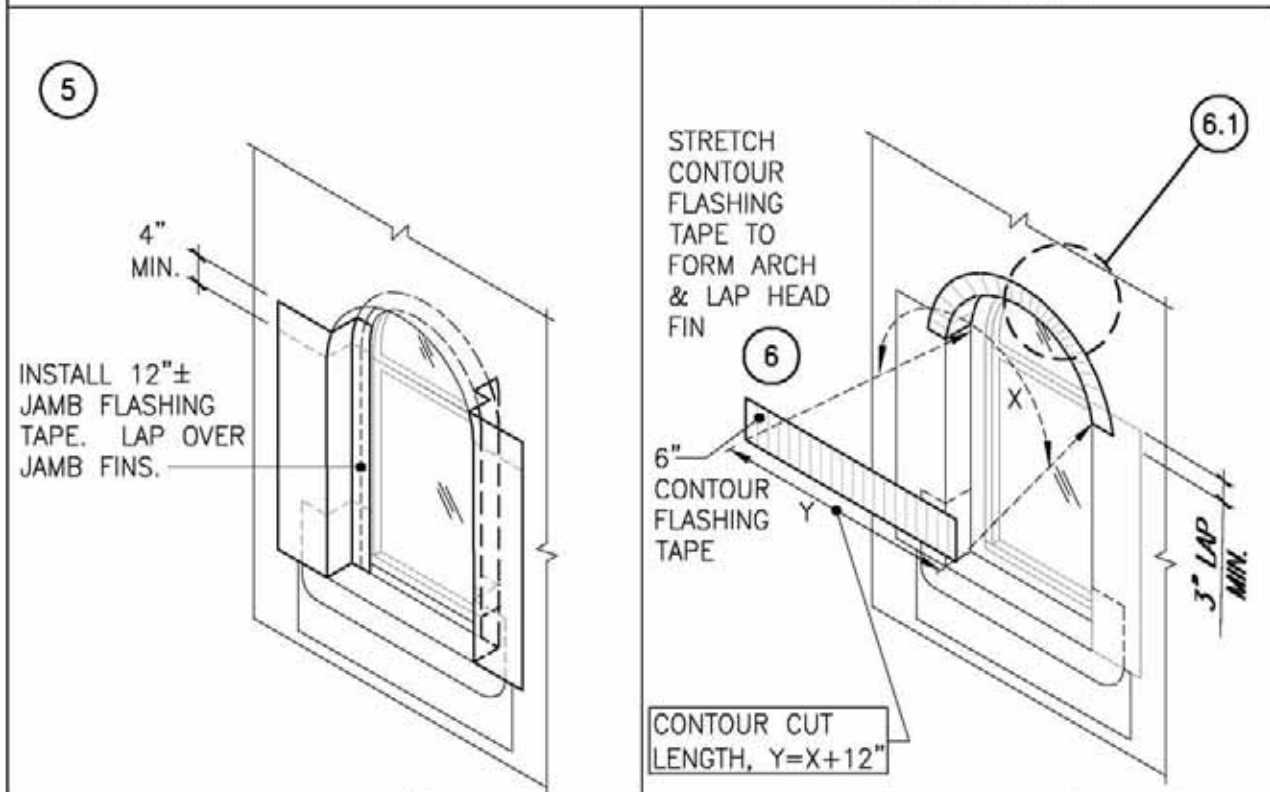
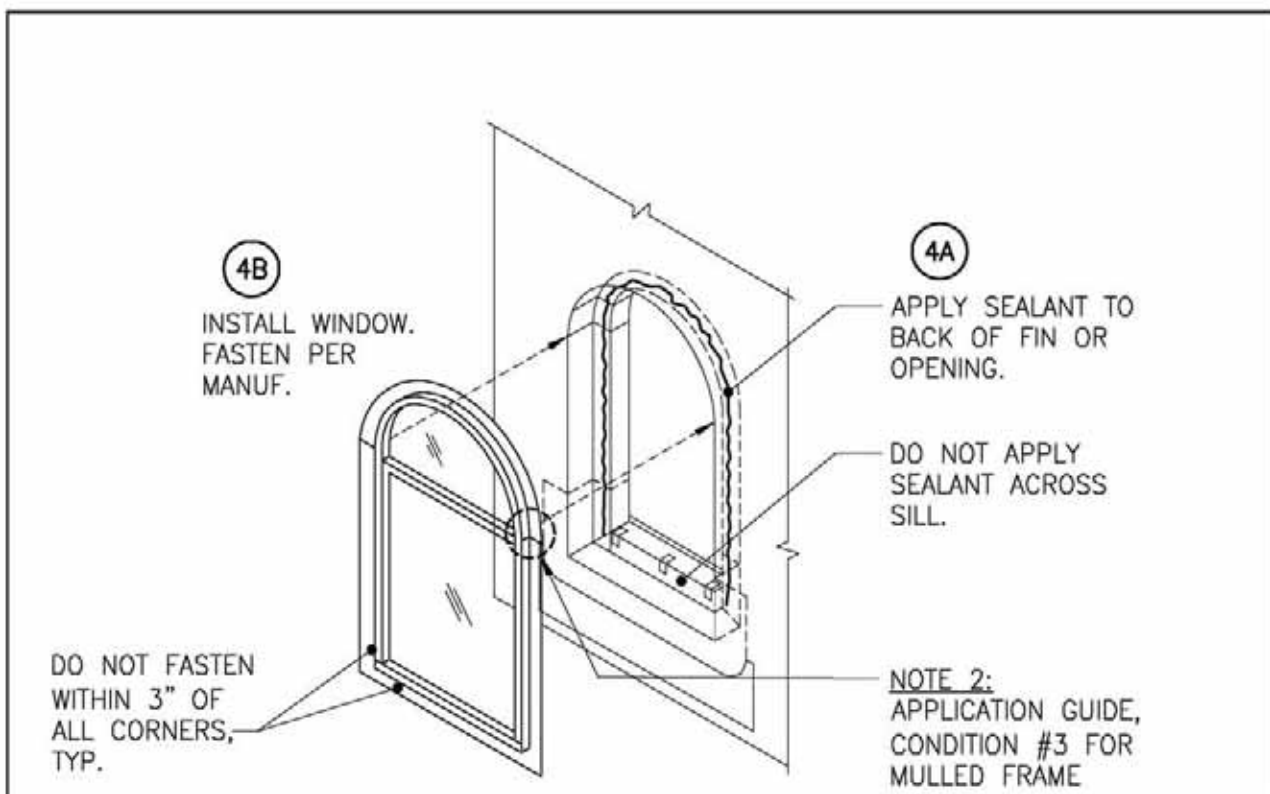
BERRU
 PLASTICS CORPORATION
 AND SUBSIDIARIES
 TAPES AND COATINGS DIVISION

Project: RECESSED OPENING, HOUSEWRAP NAIL-FIN, ARCHED HEAD

Title: CONTOUR: ARCH WINDOW, METHOD A

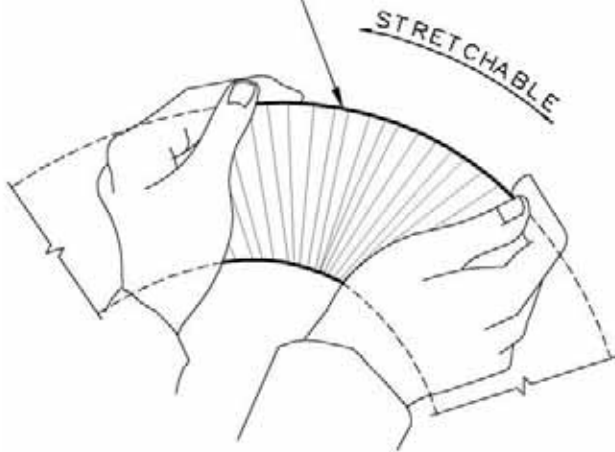
Drawing No: **RAB.2**

I:\Projects\2006\0607220-PCU-Y\Drafting\Working_Set\Details\7_D_Contour Flashing Sequence Diagram\PCU_Y_Fig.7.4_CSAB.dwg, 10/15/2007 3:20:12 PM, w/cookers



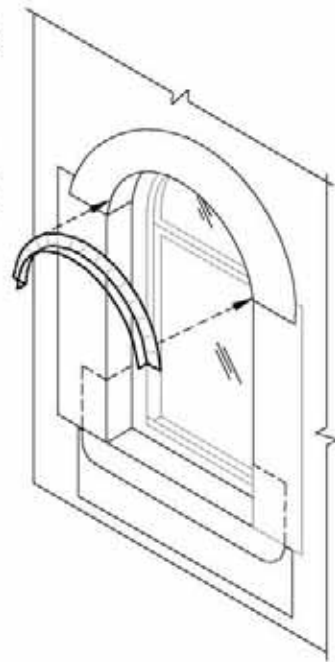
	Project: RECESSED OPENING, HOUSEWRAP NAIL-FIN, ARCHED HEAD	Drawing No.: RAB.3
	Title: CONTOUR: ARCH WINDOW, METHOD A	

6.1 CONTOUR FLASHING CAN CONFORM TO ARCH



SUPPLEMENTAL HEAD FLASHING AT OPENING RECESS AS REQUIRED FOR EXTERIOR WALL CLADDING TYPE

7A

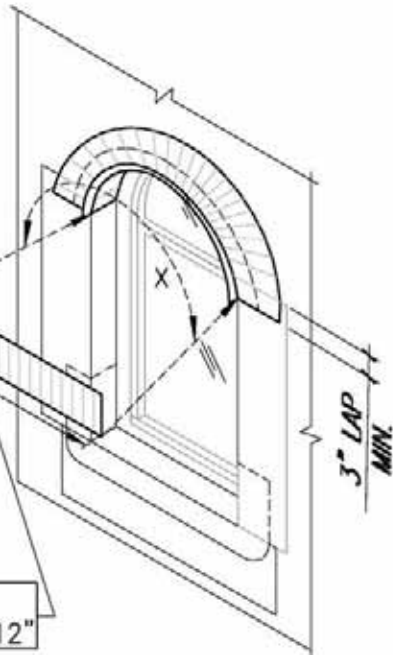


STRETCH CONTOUR FLASHING TAPE TO FORM ARCH & LAP HEAD FLASHING LEG

7B

6" CONTOUR FLASHING TAPE

CONTOUR CUT LENGTH, $Y=X+12"$



CUT AWAY BUILDING PAPER AT HEAD ARCH

8E

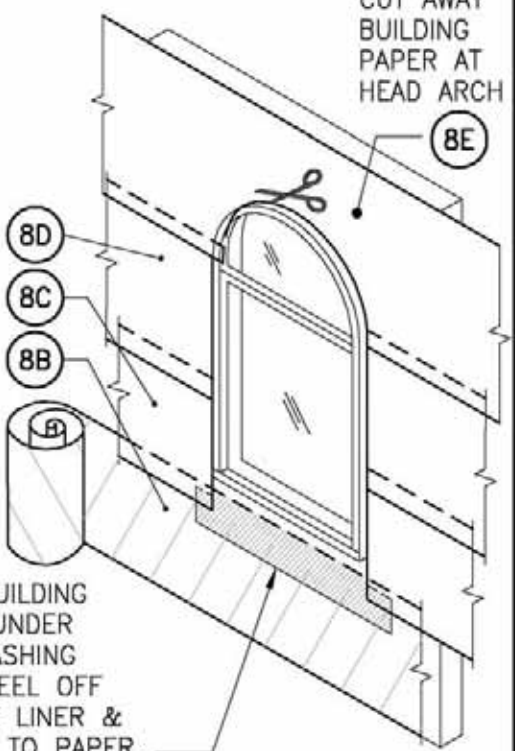
8D

8C

8B

8A

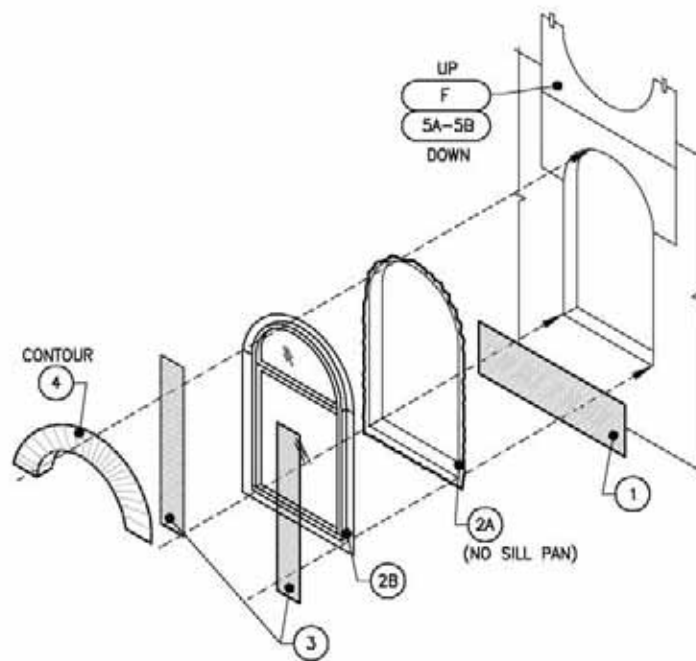
TUCK BUILDING PAPER UNDER SILL FLASHING TAPE. PEEL OFF RELEASE LINER & ADHERE TO PAPER.



Project: RECESSED OPENING, HOUSEWRAP NAIL-FIN, ARCHED HEAD
 Title: CONTOUR: ARCH WINDOW, METHOD A

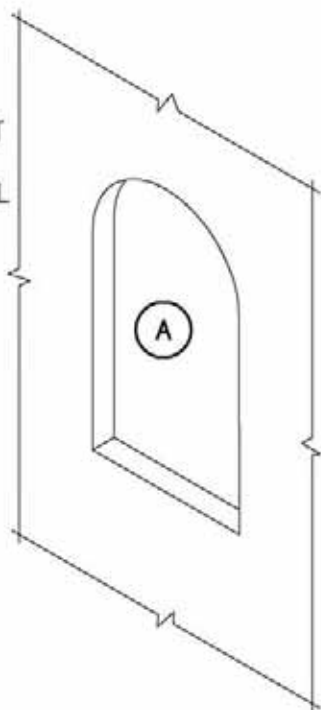
Drawing No: RAB.4

I:\Projects\2006\0607220-PCLY\Drafting\Working_Set\Details\7_D_Contour Flashing Sequence Diagram\PCLY_Fig-7_5_C5H4_01.dwg, 1/15/2007 3:20:15 PM, wlpowers

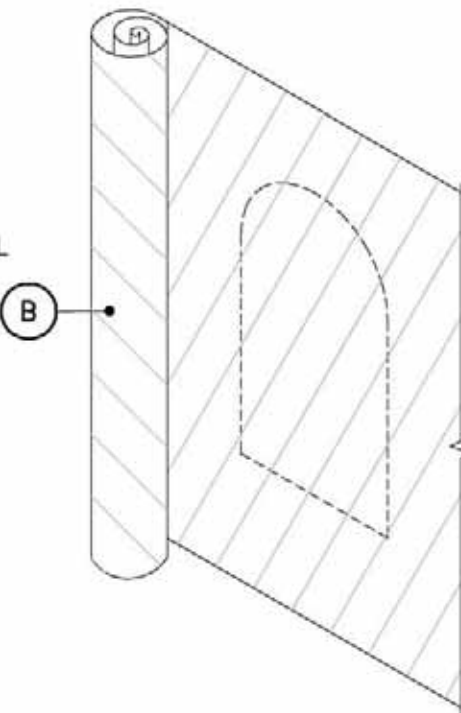


FLASHING SEQUENCE ① - ⑤

PREPARED WINDOW OPENING AT SHEATHED FRAME WALL



INSTALL HOUSE WRAP



Project:

FLUSH OPENING, HOUSEWRAP
NAIL-FIN, ARCHED HEAD

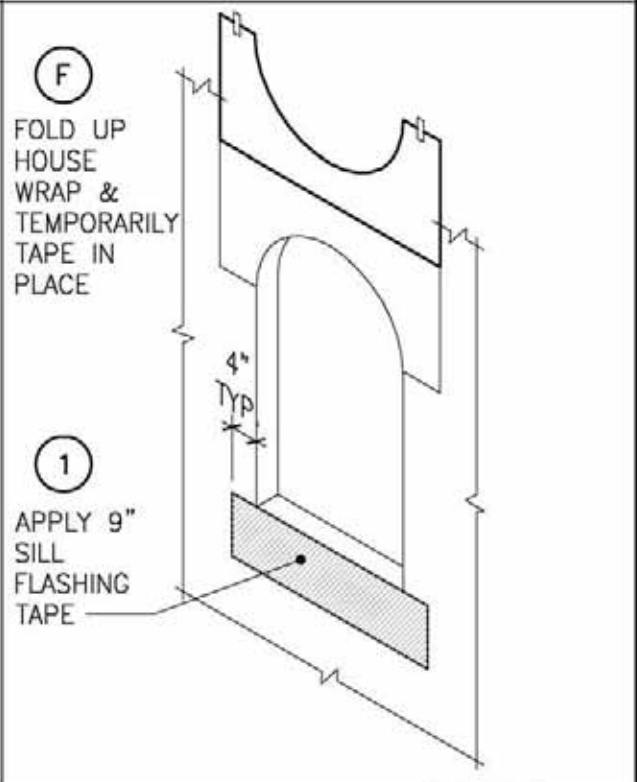
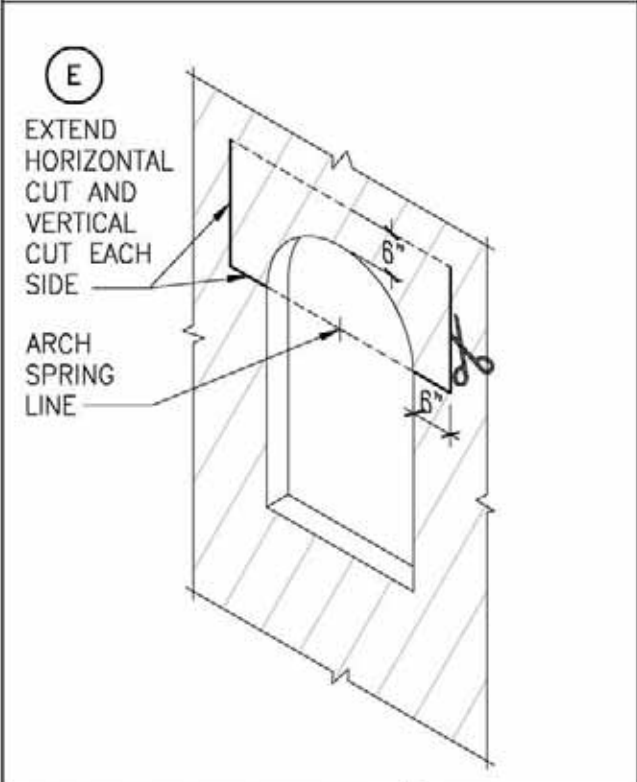
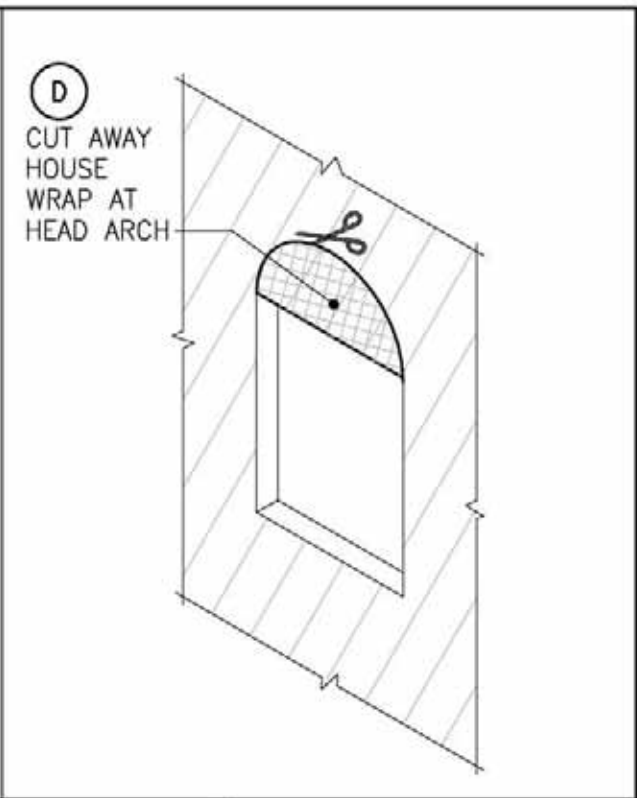
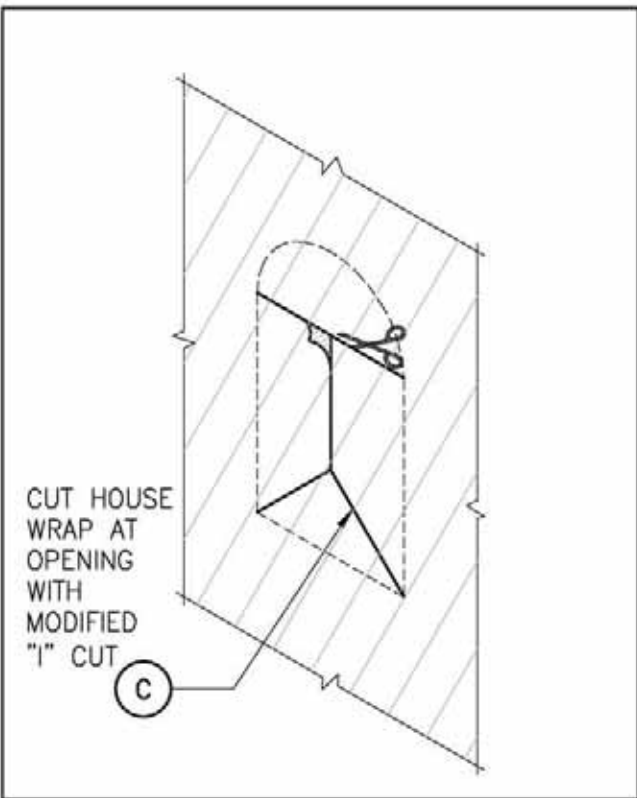
Title:

CONTOUR: ARCH WINDOW FLASHING, METHOD A1

Drawing No.:

FAH.1

:\Projects\2006\0607220-PCLY\Drafting\Working_Set\Details\7_D_Contour Flashing Sequence Diagram\PCLY_Fig.7.5_C5H4_01.dwg, 10/15/2007 3:20:15 PM, wlpowers



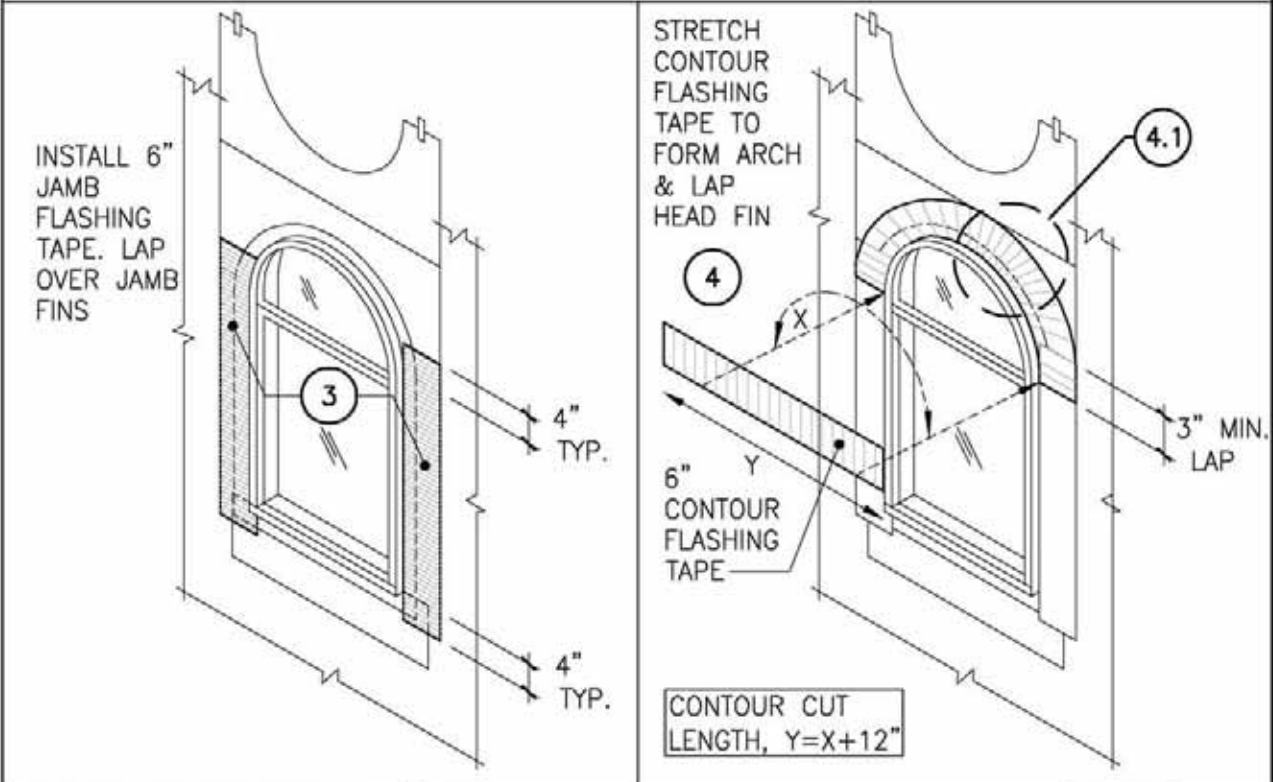
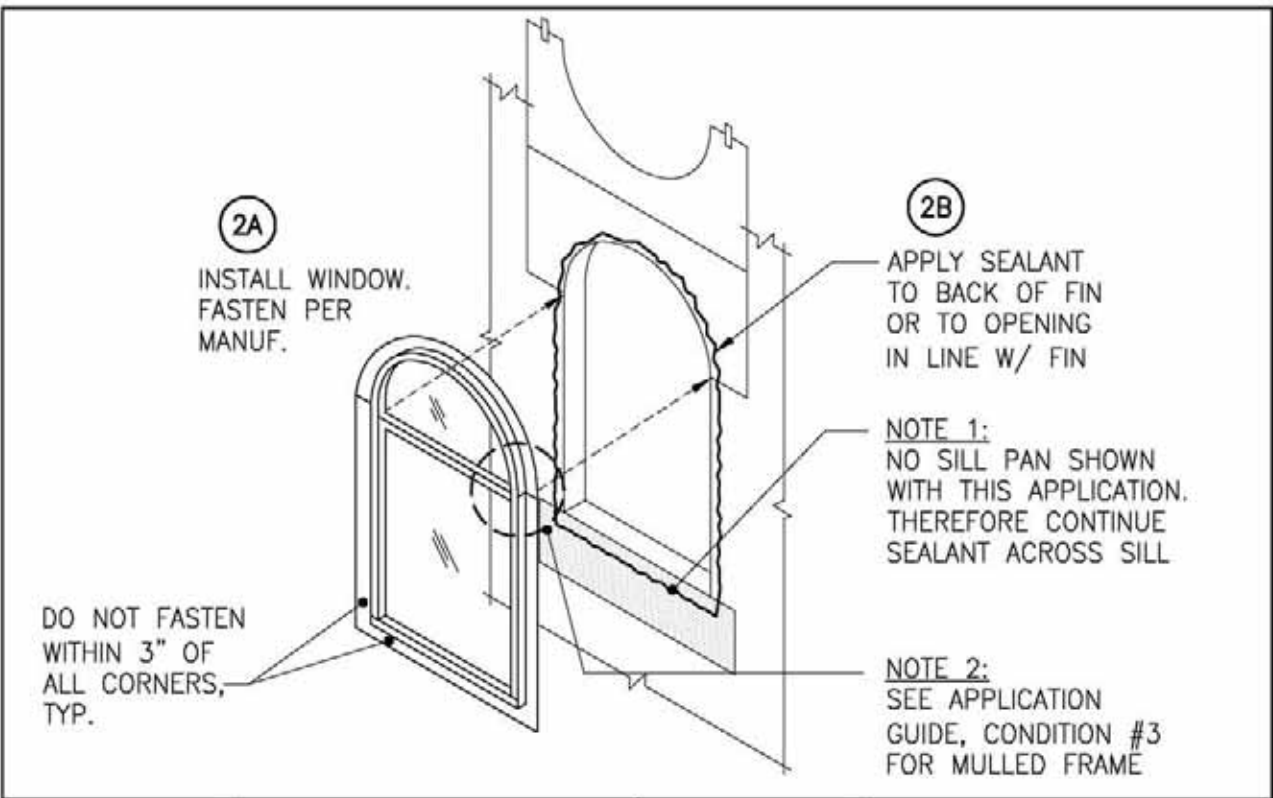
BERRUTM
PLASTICS CORPORATION
AND SUBSIDIARIES
TAPES AND COATINGS DIVISION

Project: FLUSH OPENING, HOUSEWRAP NAIL-FIN, ARCHED HEAD

Title: CONTOUR: ARCH WINDOW FLASHING, METHOD A1

Drawing No: FAH.2

I:\Projects\2006\0607220-PCU-Y\Drafting\Working_Set\Details\7-D_Contour Flashing Sequence Diagram\PCU_Y_Fig-7_5_C5H4_01.dwg, 10/15/2007 3:20:15 PM, vepowers



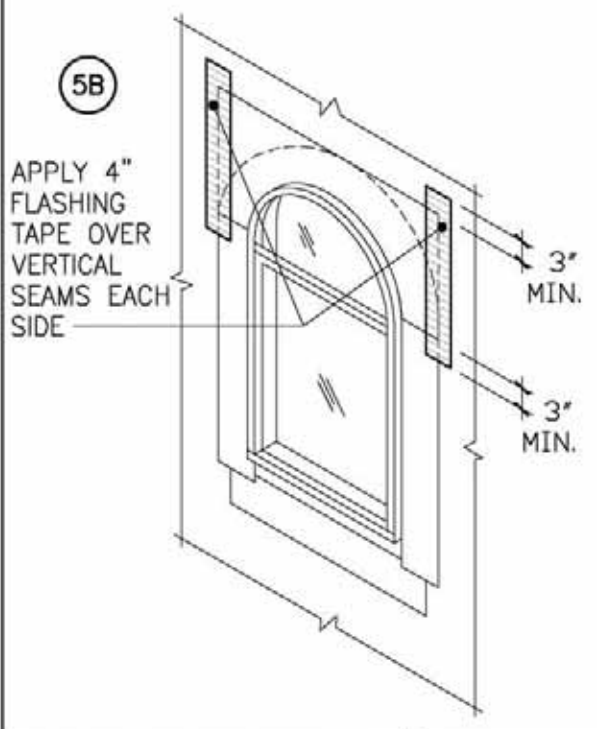
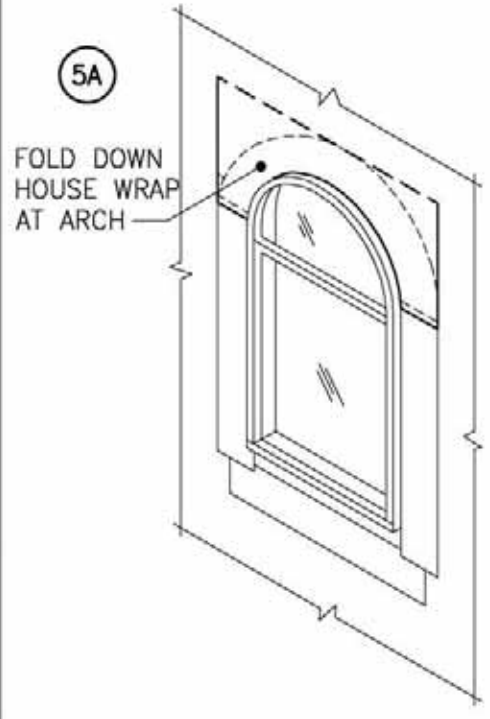
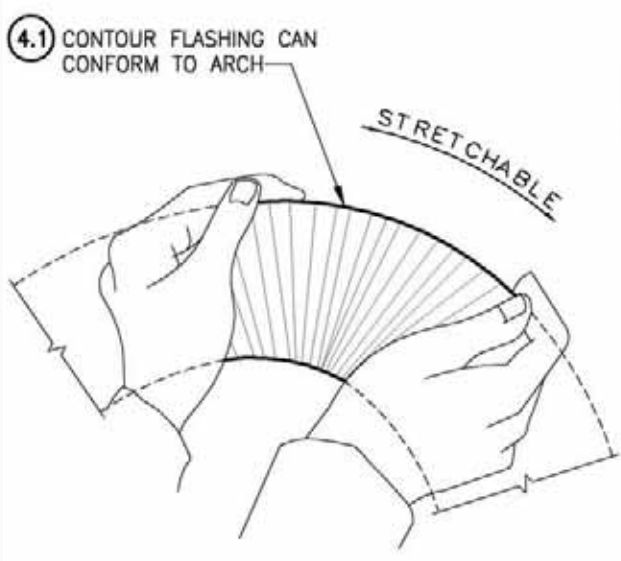
BERRU
 PLASTICS CORPORATION
 AND SUBSIDIARIES
 TAPES AND COATINGS DIVISION

Project:
 FLUSH OPENING, HOUSEWRAP NAIL-FIN, ARCHED HEAD

Title:
 CONTOUR: ARCH WINDOW FLASHING, METHOD A1

Drawing No:
FAH.3

:\Projects\2006\0607220-PCLY\Drafting\Working_Set\Details\7_B_Contour Flashing Sequence Diagram\PCLY_Fig-7_5_C5H4_01.dwg, 10/15/2007 3:20:16 PM, wlpowers

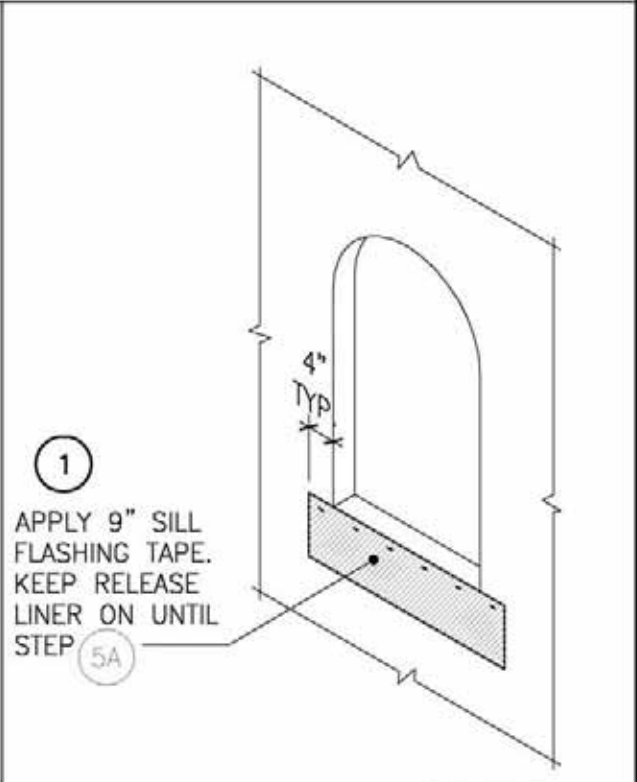
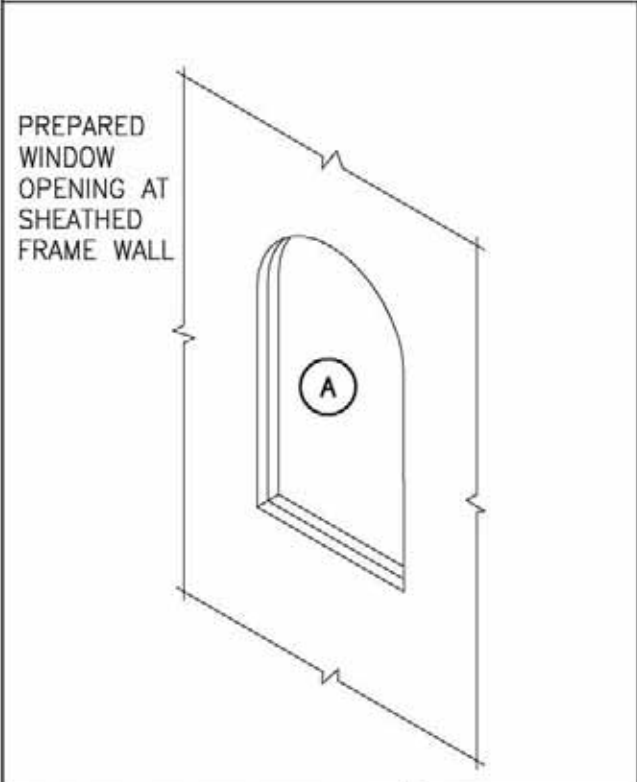
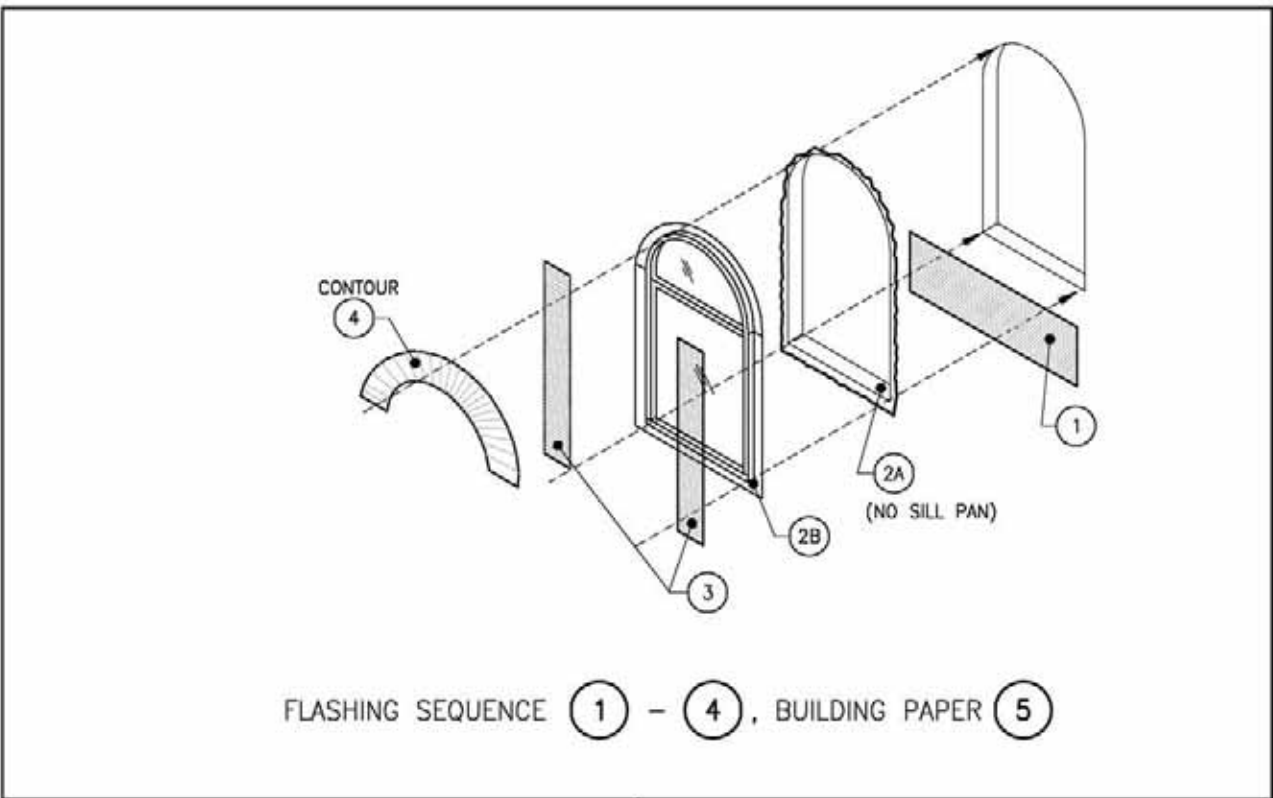


Project: FLUSH OPENING, HOUSEWRAP NAIL-FIN, ARCHED HEAD

Title: CONTOUR: ARCH WINDOW FLASHING, METHOD A1

Drawing No: FAH.4

I:\Projects\2006\0607220-PCLY\Drafting\Working_Set\Details\7_D_Details\7_D_Contour Flashing Sequence Diagram\PCLY_Fig-7.6_CFSAB_01.dwg, 10/15/2007 3:20:00 PM, vtpowers

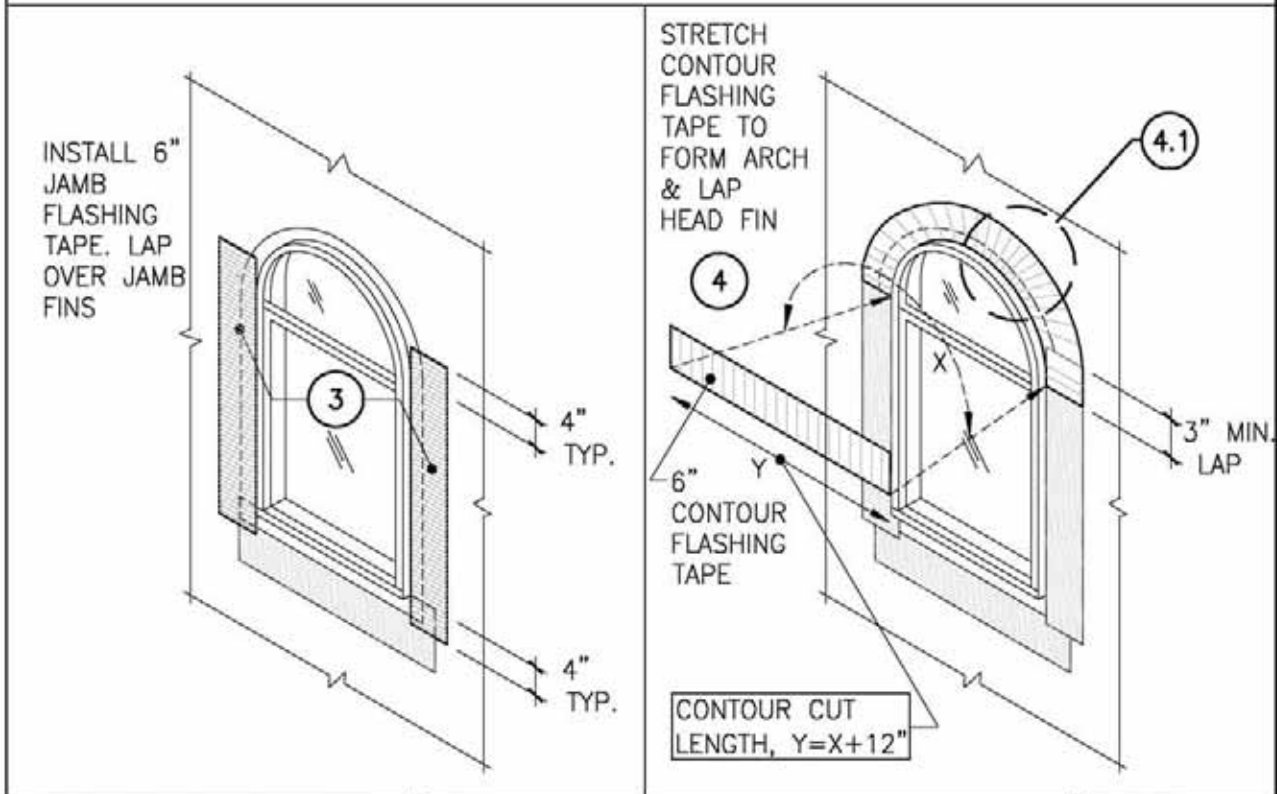
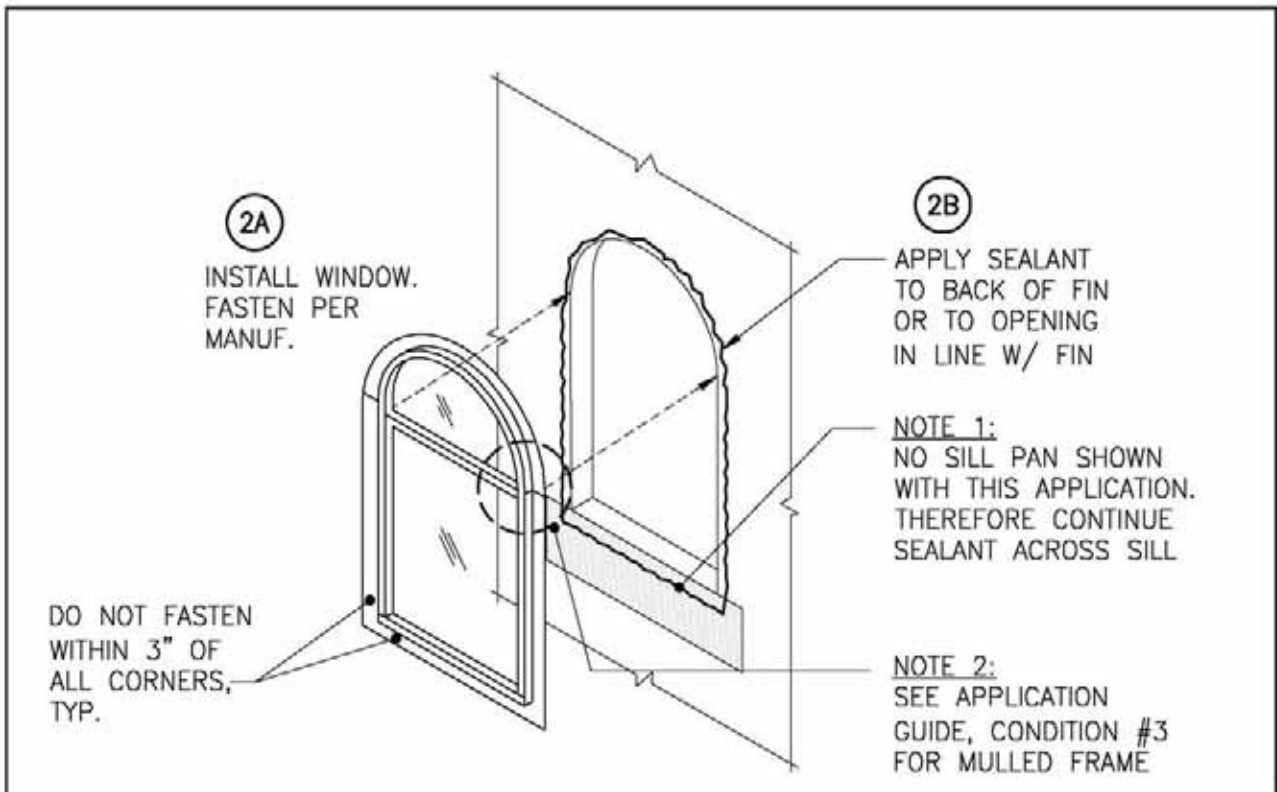


BERRUTM
 PLASTICS CORPORATION
 AND SUBSIDIARIES
 TAPES AND COATINGS DIVISION

Project: FLUSH OPENING, BUILDING PAPER NAIL-FIN, ARCHED HEAD

Title: CONTOUR: WINDOW FLASHING, METHOD A

Drawing No: **FAB.1**



I:\Projects\2006\0607220-PCU\Y\Drafting\Working_Set\Details\7_D_Contour Flashing Sequence Diagram\PCU_Y_7_6_C548_01.dwg, 10/15/2007 3:20:01 PM, vtpowers

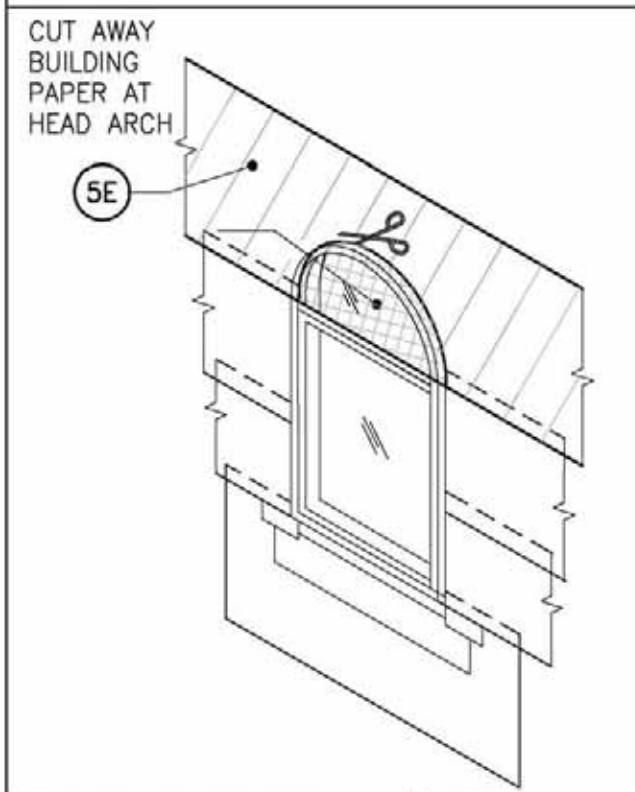
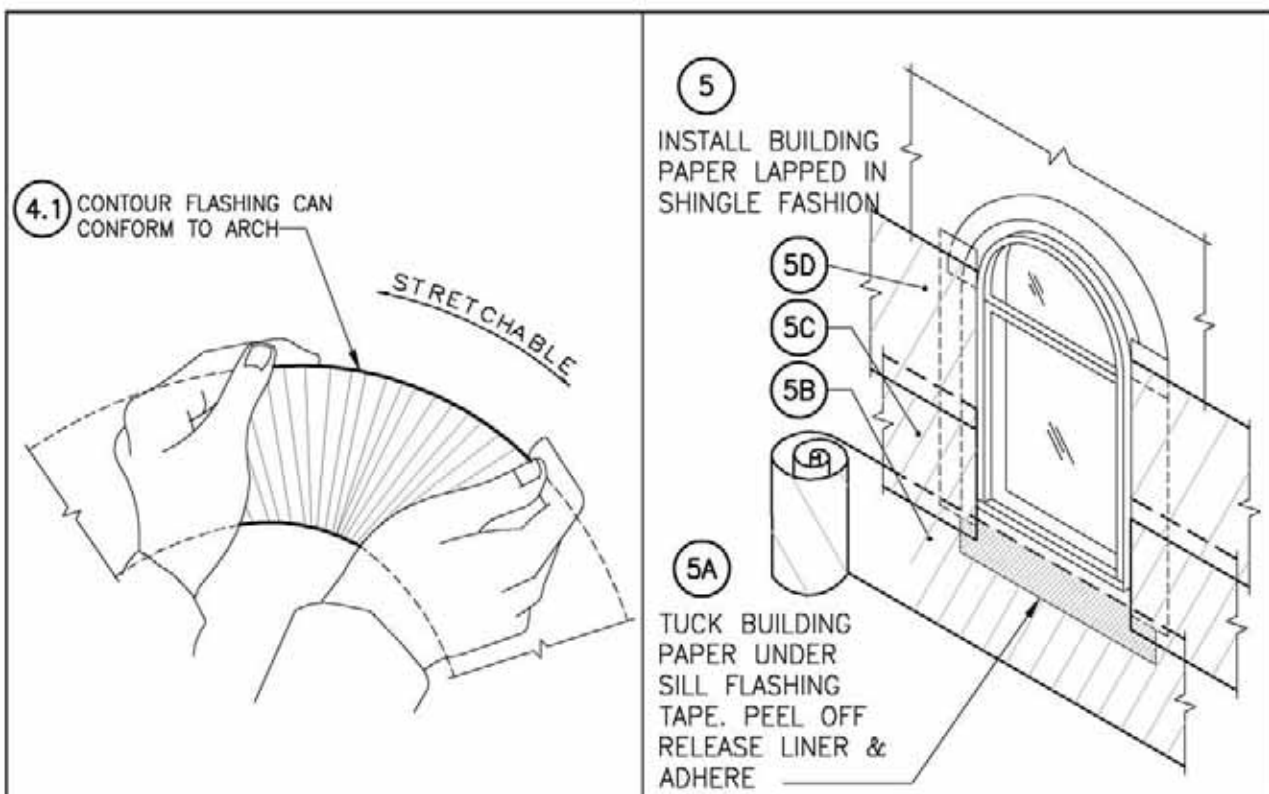
BERRU
PLASTICS
CORPORATION
AND SUBSIDIARIES
TAPES AND COATINGS DIVISION

Project:
FLUSH OPENING, BUILDING PAPER
NAIL-FIN, ARCHED HEAD

Title:
CONTOUR: WINDOW FLASHING, METHOD A

Drawing No.:
FAB.2

:\Projects\2006\0607220-PCLY\Drafting\Working_Set\Details\7_D_Contour Flashing Sequence Diagram\PCLY_Fig-7.6_CFSAB_01.dwg, 10/15/2007 3:20:01 PM, vtpowers



Project: FLUSH OPENING, BUILDING PAPER NAIL-FIN, ARCHED HEAD

Title: CONTOUR: WINDOW FLASHING, METHOD A

Drawing No: FAB.3